

INSTALLATION AND OPERATING INSTRUCTIONS

OWNERS MANUAL

MODEL 942 CHAIR MOVER



MODEL/SERIAL NUMBER

For your future reference, mark the model number or serial number in the space provided.



QUALITY MANAGEMENT
SYSTEM
REGISTERED TO
ISO 13485



TABLE OF CONTENTS

IMPORTANT INFORMATION.....3

1. INTRODUCTION.....4

2. INSTALLATION.....4

 2.1. Unpacking.....4

 2.2. Assembly.....4

 2.3. Operation5

 2.4 Maintenance5

Replacement of Parts.....7


Trouble Shooting10


Cleaning and Maintenance.....11


LIMITED WARRANTY.....12

IMPORTANT INFORMATION


SAFETY SYMBOLS SAFETY SYMBOLS

 **“DANGER”, “WARNING”, or “CAUTION”**
 The exclamation point within an equilateral triangle is intended to alert the user to the presence of important operating and maintenance (servicing) instructions in this Installation and Operating Instructions.

 **« DANGER », « AVERTISSEMENT », ou « PRÉCAUTION »**
 Le point d'exclamation à l'intérieur d'un triangle équilatéral vise à alerter l'utilisateur à la présence d'importantes instructions de fonctionnement et de maintenance (service) dans ce manuel d'installation et d'instructions de fonctionnement.

 **“NOTE”**
 Note indicates points of particular or additional information.

 **« REMARQUE »**
 Remarque indique des points d'intérêt particulier ou des renseignements additionnels.

 Safe Working Load

TRANSPORTATION / STORAGE CONDITIONS

Temperature: Operating: 59 to 104° F
 15 to 40° C

Storage: -22 to +140° F
 -30 to +60° C

Relative Humidity: Operating: 5 to 95% without condensation

Storage: 10 to 100%

Safe Working Load: 850 Lbs.

Atmospheric Pressure:

Operating: 700hPa - 1060hPa
 Storage: 500hPa - 1060hPa

1. INTRODUCTION

1.1. This manual contains information applicable only to the Reliance® Model 942 Chair Mover.

1.2. Whenever you see the symbols shown below, heed their instructions! Always follow safe operating and maintenance practices.



“WARNING”: THE WARNING SYMBOL IDENTIFIES SPECIAL INSTRUCTIONS OR PROCEDURES WHICH, IF NOT CORRECTLY FOLLOWED, COULD RESULT IN PERSONAL INJURY.



« AVERTISSEMENT » : LE SYMBOLE AVERTISSEMENT IDENTIFIE DES INSTRUCTIONS OU PROCÉDURES SPÉCIALES QUI, SI ELLES NE SONT PAS SUIVIES CORRECTEMENT, POURRAIENT CAUSER UNE BLESSURE.



“CAUTION”- This caution symbol identifies special instructions or procedures which, if not strictly observed, could result in damage to or destruction of equipment.



« PRÉCAUTION » : Ce symbole de précaution identifie des instructions ou procédures spéciales qui, si elles ne sont pas strictement suivies, pourraient causer un dommage ou la destruction de l'équipement.



“NOTE”- Note indicates points of particular or additional information.



« REMARQUE » : Remarque indique des points d'intérêt particulier ou des renseignements additionnels.

1.3 Should your product not perform properly, or if you have any questions concerning the use and care of any Reliance® product, contact the Reliance® Distributor where you purchased this product or contact the Technical Service Department, Reliance® Medical Products, Inc., 3535 Kings Mills Road, Mason, Ohio 45040-2303, or call (800) 735-0358.

NOTE: Always have the model number and serial number available before contacting Reliance® or your authorized Reliance® Distributor.



REMARQUE : Ayez toujours le numéro de modèle et le numéro de série à portée de la main avant de contacter Reliance® ou votre distributeur Reliance® autorisé.

2. INSTALLATION

2.1. Unpacking

2.1.1. Remove the protective paper backing and apply the no-skid pads on the bottom of the base plate (Figure 1: No-skid Pad Location). Use the 1/8" thick ribbed no-skid Pads for carpeted floors. Use the 1/32" thick pads for smooth hard floors.

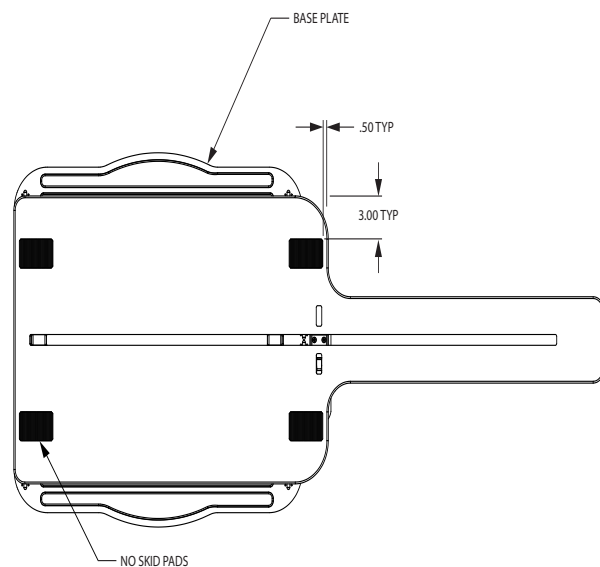


FIGURE 1
NO-SKID PAD LOCATION

2.2. Assembly - 942 Chair Mover

2.2.1. Position base plate on the floor in the desired location. The tapered part of the base plate is the rear. The wider front part of the base is to be located where the chair will be in its normal position.

2.2.2. Position carriage plate on the base plate. The lock lever is to be located to the back of the chair.

2.2.3. Position the chair on the carriage plate. To place the chair in the proper recessed area, flatten the long piece of cardboard used for shipping. Place mover in the location desired and lay the cardboard over the front half of the mover (See Figure 2).

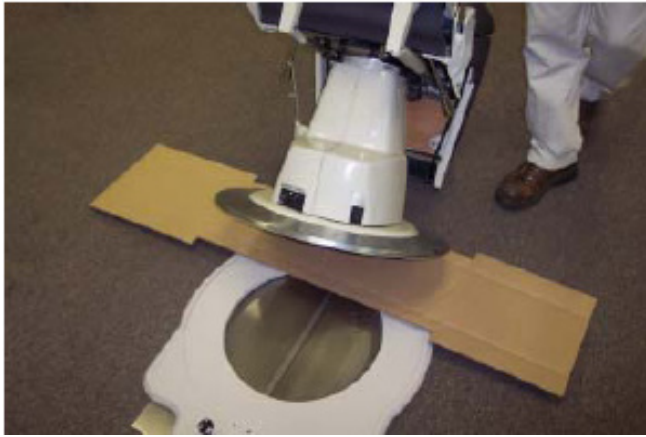


FIGURE 2



“NOTE” – Place the chair in front of the mover and tip the chair forward. Walk the chair back until the front end of the chair, touches the front edge of the cardboard. Set the chair down, and walk the chair back until properly positioned. Tip the chair back and remove cardboard.



« **REMARQUE** » – placez la chaise devant le moteur et inclinez la chaise en avant. Marchent la chaise en arrière jusqu’au d’entrée de la chaise, contacts le bord avant du carton. Déposez la chaise, et marchez la chaise en arrière jusqu’à ce que correctement placé. Inclinez la chaise en arrière et enlevez le carton.



“CAUTION” - Be careful not to knock the carriage plate out of its track.



« **PRÉCAUTION** » - fassiez attention à ne pas frapper le plat de chariot hors de sa voie.



“WARNING” – Ensure that the examination chair is compatible with the Chair Mover. The Chair Mover has been designed for compatibility with the following chair models: 520, 522, 710, FX-920, 980, 981, 7000, 7110, FXM-920, 5200 and the 6200.



“AVERTISSANT”- assurez-vous que la chaise d’examen est compatible avec le moteur de chaise. Le moteur de chaise a été conçu pour la compatibilité avec les modèles suivants de chaise : 520, 522, 710, FX-920, 980, 981, 7000, 7110, FXM-920, 5200 et les 6200.

2.3. Operation - 942 Chair Mover

2.3.1. The Chair Mover allows for twenty seven (27) inches travel of chair. The forward (Patient Examination) position is a locked position. The rear (Non-Patient) position has a detent for chair storage. Pressing the lock lever down toward the floor unlocks the mover carriage plate.



“WARNING” – the Chair Mover is not designed for patient positioning. The patient is to be in the exam chair only when the Chair Mover is locked in the patient examination position.



“AVERTISSANT” – le moteur de chaise n’est pas conçu pour le positionnement patient. Le patient doit être dans la chaise d’examen seulement quand le moteur de chaise est fermé à clef en position patiente d’examen.

2.4. Maintenance - 942 Chair Mover

2.4.1. The only maintenance required is that the tracks be kept clean - use mild detergent and damp cloth.

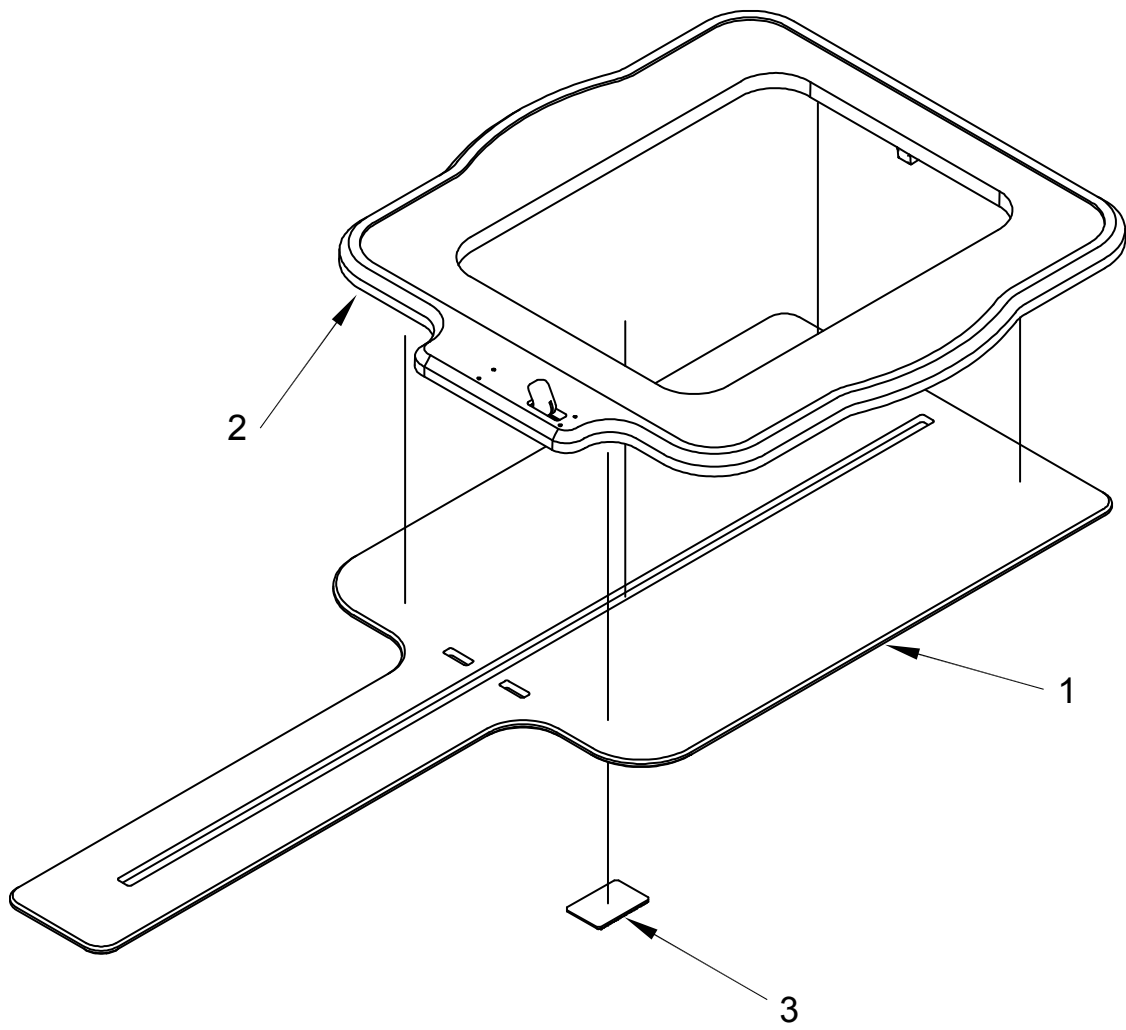


FIGURE 3
942 Chair Mover Assembly
(Parts List See Page 7)

ITEM	PART NO.	DESCRIPTION
1	2839999	Base Plate - 942
2	2858799	Chair Mover, Sub-Assy - 942
3	1708999	No Skid Pad (For Carpet)
	1709099	No Skid Pad (For Hardwood)

Parts List
942 Chair Mover Assembly
(Figure 3 See Page 6)

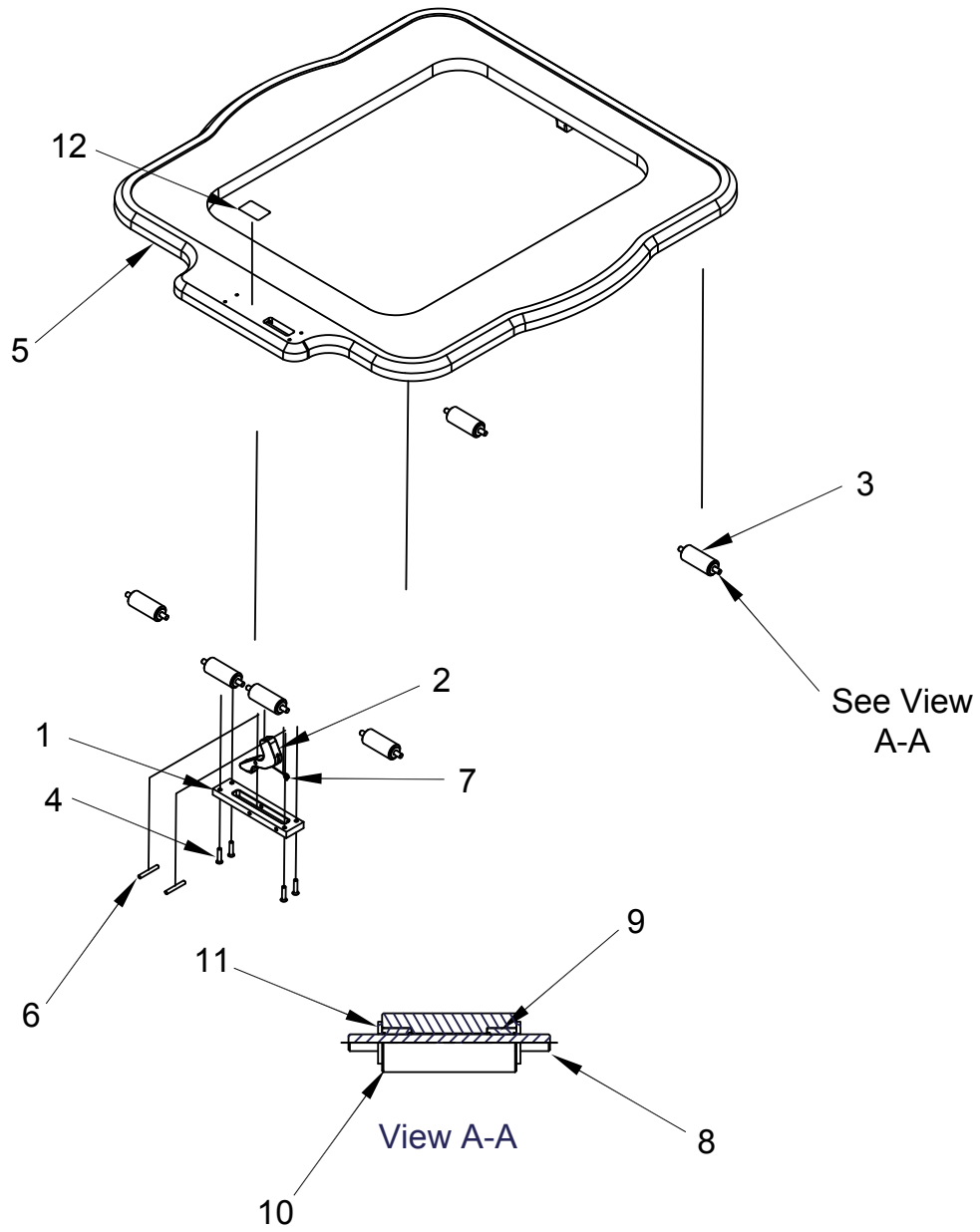


FIGURE 4
 942 Chair Mover Sub-Assembly
 (Parts List See Page 9)

ITEM	PART NO.	DESCRIPTION
1	2858399	Lock Bracket
2	2858299	Lever
3	2835399	Roller Assembly
4	2836299	FHMS 10-24 UNC x 0.875, Phil
5	2857999	Base
6	2836099	Axis
7	2858599	Spring
8	2835699	Shaft
9	2835599	Needle Bearing
10	2835499	Roller
11	2835799	Shim Washer
12	2835799	Label-Safe Working Load-850 lbs

Parts List
942 Chair Mover Assembly
(Figure 4 See Page 8)

Trouble Shooting

PROBLEM	PROBABLE CAUSE	SOLUTION
1. Movement is rough. 2. Chair rocks or slides on mover. 3. Glide will not move.	Dirt on tracks. Chair not in correct position on glide. Carriage plate is off its track.	Wipe clean. Reposition according to section 2.2.3. Replace carriage plate on its track.

TABLE 1

CLEANING AND MAINTENANCE

Day to Day soil:

Remove ordinary dirt and smudges with a mild soap and warm water solution. Dry with a soft, lint-free cloth or towel. For more difficult stains, use of a stronger detergent is recommended; however, follow the detergent manufacturer's instructions closely.

Disinfecting Material:

In order to disinfect, use a 1:9 solution of bleach and water (1 part bleach to 9 parts water). Wipe surface with damp cloth then rinse with water immediately, using a damp cloth.

Special cleaning problems:

The following methods are recommended to clean stains on PreFixx-protected vinyl upholstery. Most stains will be removed when these cleaning agents are used in the following order.

Type 1 Cleaners: Nonabrasive household cleaners to be used with water and a soft cloth.


- Formula 409®~ All-Purpose Spray Cleaner
- Fantastik® Spray Cleaner
- Other similar household cleaners and bleaches

Type 2 Cleaners: Solvent-type cleaner to be liberally applied with a soft cloth. Dry area with another cloth, rinse with clean water and dry.

- Rubbing alcohol (isopropyl alcohol)
- Lighter fluid (naphtha)

Type 3 Cleaners: Strong, active solvent cleaners such as nail polish remover (acetone/water) to be applied with a soft cloth. Stain should be removed with less than six (6) rubs; if stain persists after six rubs, contact manufacturer. Dry area with another cloth, rinse with clean water and dry.

 **NOTE:** Equipment should be cleaned as needed or per local or healthcare profession guidelines..

 **REMARQUE:** L'équipement devrait être nettoyé au besoin ou selon les directives locales ou celles des professions de la santé.



CAUTION- These solvents are highly flammable. Exercise proper care in cleaning and notify personnel in area of danger. Wear rubber gloves during all cleaning activity. Use caution in cleaning around buttons, stitching and wooden or other decorative trim, since these solvents could seriously damage such areas.



PRÉCAUTION : Ces solvants sont extrêmement inflammables. Faites très attention lors du nettoyage et avisez le personnel dans la zone de tout danger. Portez des gants de caoutchouc durant toute activité de nettoyage. Faites attention en nettoyant autour des boutons, des coutures et autres finitions de bois ou décoratives, puisque ces solvants pourraient endommager sérieusement ces endroits.

Cleaning Painted Surfaces

The painted metal surfaces are covered in durable, powder-coated paint which is resistant to scratching and scuffing. It may be cleaned with a clean cloth dampened with mild, soapy water or equivalent household product that uses spray application.

Recommended Infection Control Products

The disinfectant/cleaner products that we have tested and recommend for our upholstery, painted items and plastic covers are as follows.

- Cavicide® Hospital Disinfectant
- Precise® Hospital Foam Cleaner Disinfectant



CAUTION: Follow manufacturer's directions for concentration and application of disinfecting cleaner. Avoid prolonged application of any disinfectant/cleaner products, because they may cause staining or discoloration of material.



PRÉCAUTION: Suivez les instructions du fabricant pour la concentration et l'application de nettoyeurs désinfectants. Évitez une application prolongée de tout produit désinfectant/nettoyant, parce que ceux-ci pourraient causer des taches ou une décoloration du matériel.

LIMITED WARRANTY

The Reliance® product must be used only for the purposes and in the manner described in the literature distributed with the product. The products are warranted against defective materials and workmanship for a period of one (1) year from date of installation. Products or parts thereof will be repaired or replaced as required at Reliance® Medical Products, Inc. Such repair or replacement shall be the sole remedy under this warranty. This warranty extends only to the original purchaser from an authorized Reliance® dealer and is subject to the following conditions:

1. The warranty card must be completed and returned to Reliance® Medical Products, Inc. within two(2) weeks from the date of installation.
2. Installation and servicing of the products must be performed by trained Reliance® equipment dealer service personnel in accordance with the appropriate instructions manual for the products. Warranty will be voided if installation is performed by a non-authorized individual
3. The products have not sustained breakage or other type damage due to accident or misuse.
4. This warranty will not apply to Reliance® products which have had the serial number removed, altered or effaced.

EXCEPT FOR THE EXPRESS WARRANTY SET FORTH ABOVE, RELIANCE® DOES NOT GRANT ANY WARRANTIES, EITHER EXPRESS OR IMPLIED, INCLUDING IMPLIED WARRANTIES OF MERCHANTABILITY OR FITNESS FOR A PARTICULAR USE.

Reliance® Medical Products neither assumes nor authorizes any person to assume for it, any other liability in connection with the sale and use of its products.

REMEDIES ARE LIMITED EXCLUSIVELY TO REPAIR OR REPLACEMENT OF PARTS. RELIANCE® MEDICAL PRODUCTS, INC. EXPRESSLY DISCLAIMS LIABILITY FOR INCIDENTAL OR CONSEQUENTIAL DAMAGE RESULTING FROM THE USE OF THE EQUIPMENT.

Claims covered by this warranty will be honored when presented within one (1) month from discovery of a defect.

(NOTES)

(NOTES)

(NOTES)



MADE IN AMERICA

Reliance Medical Products, Inc.
3535 Kings Mills Road
Mason, Ohio USA 45040-2303
1-800-735-0357 (Customer Service)
1-800-735-0358 (Technical Service)
(513) 398-3937
[Http://www.reliance-medical.com](http://www.reliance-medical.com)

P/N 28593 REV C
© Copyright 2012
Printed in U.S.A.
Revised 1-2017-8847