

# INSTALLATION AND OPERATING INSTRUCTIONS

OWNERS MANUAL

## HEADRESTS



**MODEL/SERIAL NUMBER**

**For your future reference, mark the model number or serial number in the space provided.**



QUALITY MANAGEMENT  
SYSTEM  
REGISTERED TO  
ISO 9001  
ISO 13485



**TABLE OF CONTENTS**

**IMPORTANT INFORMATION**.....3

**1. INTRODUCTION**.....4

**2. INSTALLATION**.....4

**2.1. Unpacking and attaching Headrest**.....4

**Operation-No. 18, 22, 26 Headrest**.....4

**Adjustment-No. 18, 22, 26 Headrest**.....4

**Operation-No. 10, 30 Headrest**.....5

**Operation-No. 11, 21, 31 Headrest**.....5

**Adjustment-No. 11, 21, 31 Headrest**.....5

**Operation-No. 20 Headrest**.....5

**Adjustment-No. 20 Headrest**.....6

**Operation-No. 27 Headrest**.....6

**Adjustment-No. 27 Headrest**.....6

**Operation-C6 Headrest**.....6

**Adjustment-C6 Headrest**.....6

**PARTS LIST**.....7

**#18, 22, 26 Headrest Assembly**.....8

**#10 Headrest Assembly**.....10

**#11 Headrest Assembly**.....12

**#21 Headrest Assembly**.....14

**#20 Headrest Assembly**.....16

**#27 Headrest Assembly**.....18

**C6 Headrest Assembly**.....20

**#30 Headrest Assembly**.....22


**#31 Headrest Assembly**.....24

**CLEANING AND MAINTENANCE** .....26

**LIMITED WARRANTY**.....27


**IMPORTANT INFORMATION**


**SAFETY SYMBOLS**

 **“DANGER”, “WARNING”, or “CAUTION”**  
 The exclamation point within an equilateral triangle is intended to alert the user to the presence of important operating and maintenance (servicing) instructions in this Installation and Operating Instructions.

 **« DANGER », « AVERTISSEMENT », ou « PRÉCAUTION »**  
 Le point d'exclamation à l'intérieur d'un triangle équilatéral vise à alerter l'utilisateur à la présence d'importantes instructions de fonctionnement et de maintenance (service) dans ce manuel d'installation et d'instructions de fonctionnement.

 **“NOTE”**  
 Amplifies a procedure, practice, or condition.

 **« REMARQUE »**  
 Amplifie une procédure, pratique ou condition.

 Safe Working Load

**TRANSPORTATION / STORAGE CONDITIONS**

Temperature: Operating: 59 to 104° F  
 15 to 40° C

Storage: -22 to +140° F  
 -30 to +60° C

Relative Humidity: Operating: 5%RH to 95%RH  
 without condensation  
 Storage: 10%RH to 100%RH,  
 including condensation

Atmospheric Pressure: Operating: 700hPa - 1060hPa  
 Storage: 500hPa - 1060hPa

## 1. INTRODUCTION

1.1. This manual contains information applicable only to the Reliance® Headrest Models #18, 22, 26 and C6, 10, 11, 20, 21, 27, 30 and 31 headrest. Should you have a different model, please disregard any information that does not apply.

1.2. Whenever you see the symbols shown below, heed their instructions! Always follow safe operating and maintenance practices.



**“WARNING”**- The warning symbol identifies special instructions or procedures which, if not correctly followed, could result in personal injury.



**“AVERTISSANT”** Le symbole d'avertissement identifie les instructions spéciales ou les procédures qui, sinon correctement suivi, pourraient avoir comme conséquence des blessures.



**“CAUTION”**- This caution symbol identifies special instructions or procedures which, if not strictly observed, could result in damage to or destruction of equipment.



**“ATTENTION”** - ce symbole d'attention identifie les instructions spéciales ou les procédures aux lesquelles, sinon strictement observés, pourrait avoir comme conséquence les dommages ou la destruction de l'équipement.



**“NOTE”**- Note indicates points of particular or additional information.



**“NOTE”** - la note indique des remarques d'information particulière ou supplémentaire.

1.3 Should your product not perform properly, or if you have any questions concerning the use and care of any Reliance® product, contact the Reliance® Distributor where you purchased this product or contact the Technical Service Department, Reliance® Medical Products, Inc., 3535 Kings Mills Road, Mason, Ohio 45040-2303, or call (800) 735-0358.



**NOTE:** Always have the model number and serial number available before contacting Reliance® or your authorized Reliance® Distributor.



**NOTE:** Ayez toujours le numéro et le numéro de série de type disponibles avant Reliance® entrant en contact ou votre distributeur autorisé de Reliance®.

## 2. INSTALLATION

### 2.1. Unpacking and Attaching Headrest

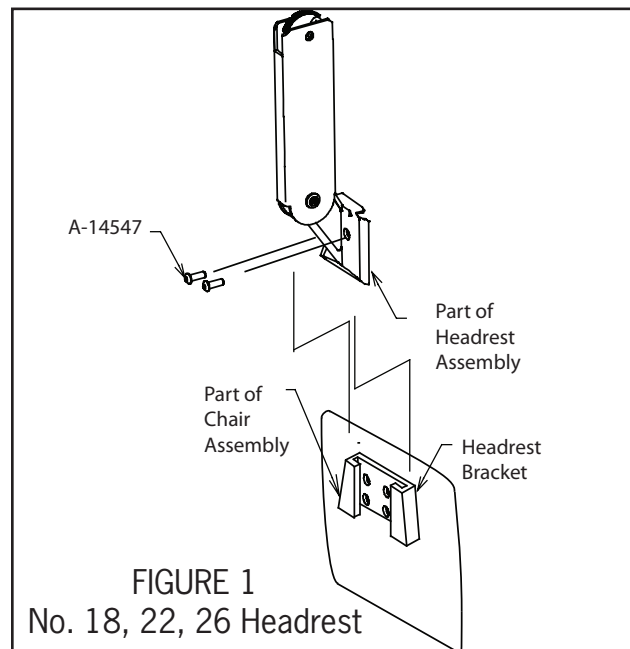
2.1.1. Remove the headrest from its carton, and mount it into position onto the chair back by sliding the headrest into the Headrest Bracket. Using the provided 5/32” hex key wrench, tighten the cap screws to clamp the headrest securely into its mounting bracket. (See Figure 1).



**“WARNING”**- If the No. 18, 22, or 26 headrest receives an impact or strikes an object with force contact Reliance® Tech Service immediately.



**“AVERTISSANT”** - si le numéro 18, l'appui-tête 22, ou 26 reçoit un impact ou frappe un objet avec le service de technologie de Reliance® de contact de force immédiatement.



### 2.1.2. Operation-No. 18, 22, 26 Headrest

2.1.2.1. The No. 18, 22, 26 headrest is designed so it can be operated with just one hand. To unlock, squeeze the clear plastic actuator into lock housing. This will allow both pivots of the articulating arm to rotate so the headrest can be moved to a new desired position. Once in the new position, release the actuator. Make sure the actuator expands to its original position fully exposing black dot on handle to insure a positive lock. The headrest pad is free to rotate at all times. (See Figure 2).

### 2.1.3. Adjustment-No. 18, 22, 26 Headrest

2.1.3.1. There are three adjustments provided on the No. 18, 22, 26 headrest. The first is the ten-

sion on the pad rotation. By tightening the two hex acorn nuts on the pad pivots with a 3/8" open end wrench, the tension will be increased. To adjust the drag on the pivots of the articulating arm, loosen the set screw in the center of the pivot (Figure 2, item 1) using the provided 3/32" hex key wrench. Next, tighten the pivot screw on the other side of the pivot, using the provided 1/8" hex key wrench. Now, retighten the set screw to retain the pivot screw at the new adjustment. Either pivot may be adjusted.

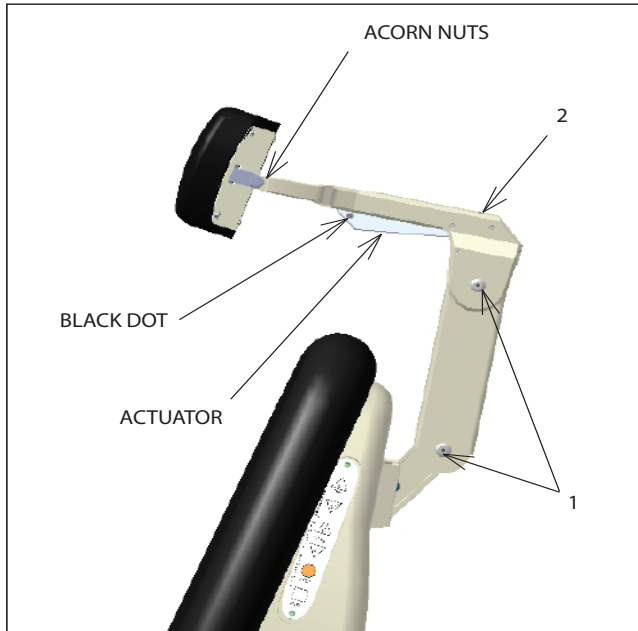


FIGURE 2

No. 18, 22, 26 Headrest

2.1.3.2. The third adjustment is for proper clearance of the block dot to indicate that the headrest is properly locked. If the dot does not fully clear the lock housing when the headrest is locked securely, turn the set screw located at the top of the lock housing (Figure 2, item 2) counterclockwise until the dot on the actuator is fully exposed.

**2.1.4. Operation-No. 10, 30 Headrest**

2.1.4.1. The No. 10 headrest has a fixed, rigid upholstered backboard which supports a sliding, center Pillow Assembly. The Pillow Assembly is held in place by a fixed strap. For patient comfort simply move this pillow to a desired position.

2.1.4.2. The No. 30 headrest has a fixed, rigid upholstered backboard which supports a moveable, center Pillow Assembly. The Pillow Assembly is magnetically retained to the Upholstered Backboard, and may be re-positioned as required for Patient comfort. The Pillow is easily removed if it is not required.

**2.1.5. Operation-No. 11, 21, 31 Headrest**

IN-27369

2.1.5.1 A single handle on the rear of the No. 11, 21, 31 headrests controls the locking mechanism. To unlock, grasp the handle and turn counter-clockwise. Change the tilt of the headrest until it is in the desired position. To lock, turn the handle clock-wise until snug. (See Figure 3, No. 11 Headrest shown)

**2.1.6. No. 11, 21, 31 Headrest Adjustment**

2.1.6.1. The handle on the outermost knob can be adjusted to any preferred, locked position. Simply push in on the large screw while pulling out on the handle. Rotate as desired, and release. (See Figure 3, No. 11 Headrest shown)

2.1.6.2. The No. 21 headrest pillow assembly will slide to a preferred patient position. Simply slide pillow on the attached headrest strap to the desired position. (Not Shown)

2.1.6.3. The No. 31 headrest has an upholstered backboard which supports a moveable, center Pillow Assembly. The Pillow Assembly is magnetically retained to the Upholstered Backboard, and may be re-positioned as required for Patient comfort. The Pillow is easily removed if it is not required.

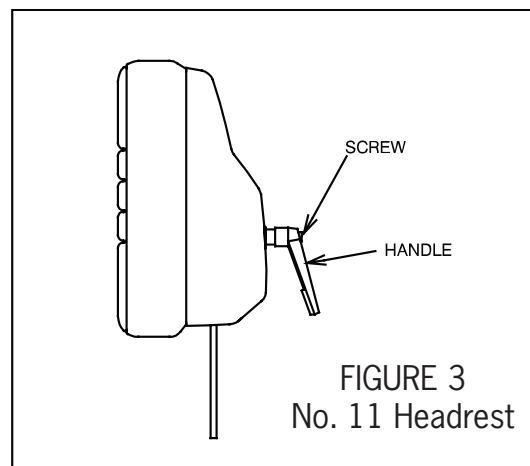


FIGURE 3  
No. 11 Headrest

**2.1.7. Operation-No. 20 Headrest**

2.1.7.1. There are two lock handles on the No. 20 Headrest. Both handles unlock by turning counter-clockwise.

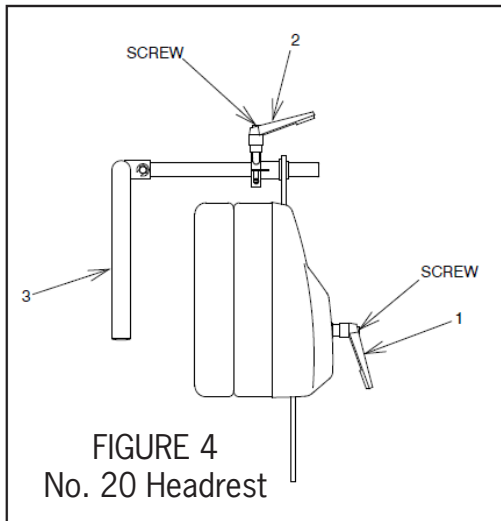
2.1.7.2. To change the tilt of the headrest unlock handle (Figure 4, item 1).

2.1.7.3. To change the height of the wrist support unlock handle (Figure 4, item 2).

2.1.7.4. When desired, the upper, curved wrist support bar (Figure 4, item 3) can be rotated up, out of the way. This also allows required clearance for a patient who is entering or leaving the chair.

### 2.1.8. Adjustment-No. 20 Headrest

2.1.8.1. The lever part of either lock handle can be re-located to any preferred, locking position. Simply push in on the large screw while pulling out on the handle, rotate the lever as desired, and release.



### 2.1.9. Operation-No. 27 Headrest

2.1.9.1. The No. 27 Headrest is designed to tilt and fold to a stowed location whenever it could interfere with a specific Examination or Procedure. Remaining attached to the chair, this Headrest is easily rotated and returned to its Standard Operating Position.

2.1.9.2. The Pillow Assembly is magnetically retained to the Upholstered Backboard, and may be re-positioned as required for Patient comfort. The Pillow is easily removed if it is not required.

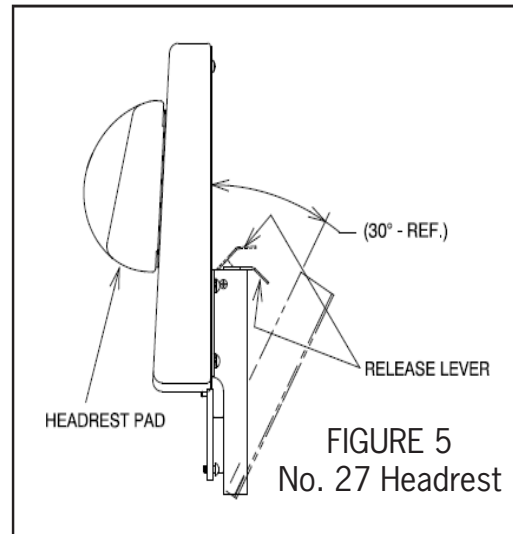
2.1.9.3. To install the Headrest, lift up on the Release Lever (See Figure 5) and tilt the Headrest backward. Fold (Rotate) the Headrest down until screws are clearly visible. Place mounting plate into headrest bracket; tighten screws with a 1/4" Allen Wrench. Rotate Headrest in a straight up position, and then push forward to lock for normal operation.

2.1.9.1.4. To stow the Headrest, lift up on the Release Lever (See Figure 5) and tilt the Headrest backward. Fold (Rotate) the Headrest down (180°). Gravity and Friction will retain the Headrest in its stowed position, where it will not interfere with any movements of the Chair Top.

2.1.9.1.5. To return the Headrest to its Standard Operating Position, rotate straight up, then push forward to lock into position.

### 2.1.10. Adjustment-No. 27 Headrest

2.1.10.1. For proper operation, all adjustments have been made at the factory.

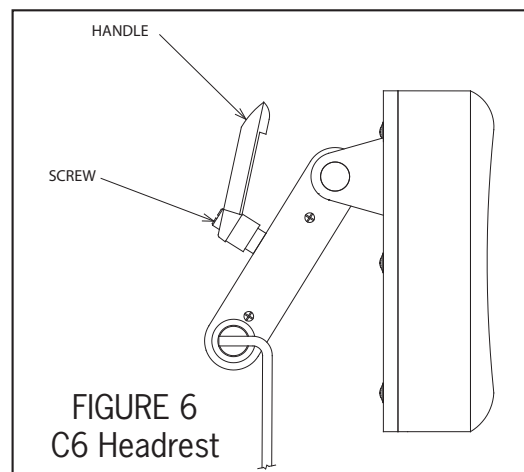


### 2.1.11. Operation C6 Headrest

2.1.11.1. A single handle on the rear of the C6 headrest controls the locking mechanism. To unlock, grasp the handle and turn counter-clockwise. Change the tilt of the headrest until it is in the desired position. To lock, turn the handle clockwise until snug. (See Figure 6)

### 2.1.12. C6 Headrest Adjustment

2.1.12.1. The handle on the outermost knob can be adjusted to any preferred, locked position. Simply push in on the large screw while pulling out on the handle. Rotate as desired, and release. (See Figure 6)



**PARTS LIST**  
**RELIANCE® HEADREST**

**Note:** When ordering parts, please:

1. Advise dealer or factory of model and serial number of unit. These numbers are on the label that is located at rear, near bottom, of chair back.

2. Specify color of painted parts. Painted parts have an asterisk(\*) behind the part description.

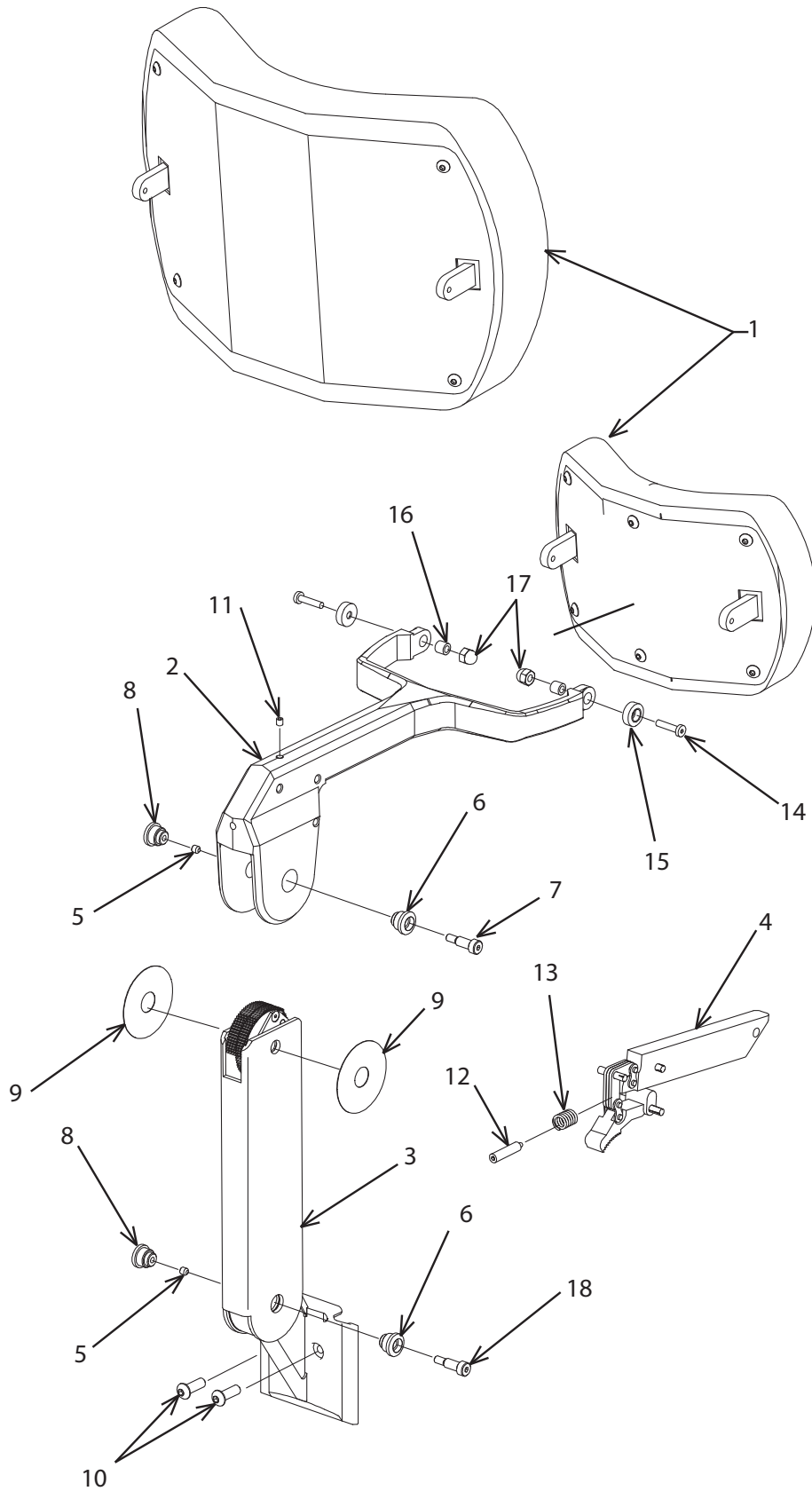
**Note :** Quand pièces de commande, s'il vous plaît :

1. Informez le distributeur ou l'usine du modèle et du numéro de série de l'ensemble. Ces numéros sont de la plaque qui est située à l'arrière, près de la base, de l'unité centrale.

2. Indiquez la couleur des pièces peintes. Les pièces peintes ont un astérisque (\*) derrière la description de pièce.

Should your Headrest not perform properly, or if replacement parts are needed, contact the Reliance® Distributor, where you purchased this product or contact the Technical Service Department, Reliance® Medical Products, Inc., 3535 Kings Mills Road, Mason, Ohio 45040-2303, or call (800) 735-0358.

FIGURE 7  
No. 18, 22, & #26 Headrest Assembly





ITEM	PART NO.	DESCRIPTION
1	0475673	Pad Assembly - No. 18**
	1680073	Pad Assembly - No. 22**
	1781973	Pad Assembly - No. 26**
2	1460492	Yoke Assembly*
3	1460592	Gear & Bracket Assembly*
4	1470692	Actuator & Lock Gear Assembly
5	1425299	Pivot Cap, Right
6	1425399	Pivot Cap, Left
7	0307599	Screw, Sholder 1/4 x 1.00
8	0726099	S.H.S.S., #10-24 x 3/16
9	1424999	Washer, 2.00" O.D.
10	1454799	B.H.C.S., 1/4-28 x 1/2
11	1456399	S.H.S.S., #10-24 x 3/8
12	1427099	Spring, Plunger
13	1538899	Spring
14	1454999	L.H.C.S., #10-24 x 3/4 - Socket
15	1434799	Pivot cap, Pad
16	0467195	Bushing, .188 I.D. x .312 O.D.
17	1456199	Nut, Acorn 1/4-20 Low Crown
18	1425699	Screw, Sholder .25 x .50

To order complete Headrest Assembly use P/N.

144080 #18 Headrest Assembly\*  
144070 #22 Headrest Assembly\*  
144060 #26 Headrest Assembly\*

\*Please specify paint color when ordering.

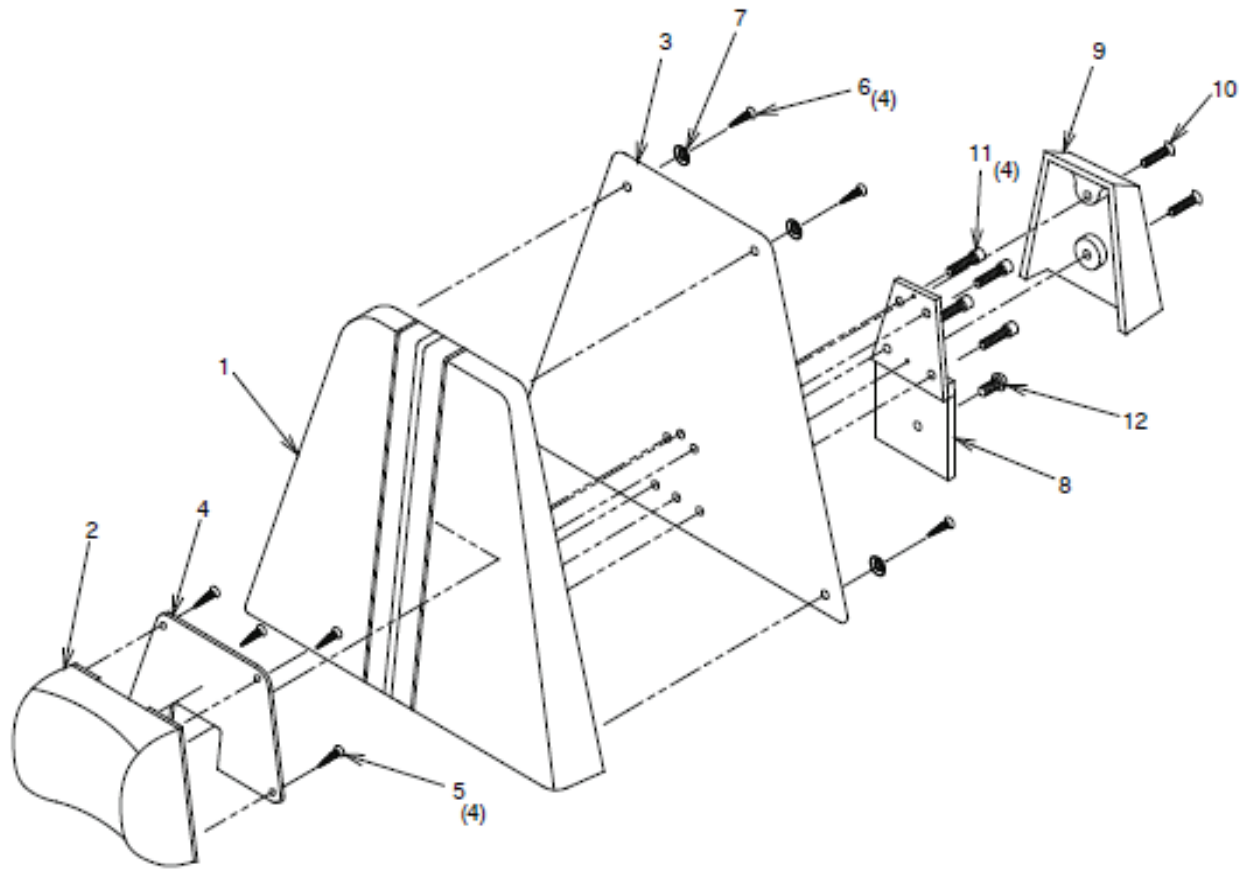
\*\* Please specify upholstery color when ordering.

To order complete Screw Assembly use P/N.

2721692 Middle Joint Screw Assembly  
Includes: Item's 5, 6, 7 & 8.

2721792 Bottom Joint Screw Assembly  
Includes: Item's 5, 6, 8 & 18

FIGURE 8  
No. 10 Headrest Assembly



ITEM	PART NO.	DESCRIPTION
1	0665073	Uph # 10 Board Assembly**
2	0574173	Pillow Assembly - #10**
3	0567903	High Back Cover*
4	0568003	Pillow Back Cover*
5	0845199	F.H.W.S. #6 x .50 - Phil
6	0569699	O.H.W.S. #6 x 3/4
7	0569799	#6 Finishing Washer
8	0557499	Mounting Plate Assembly
9	0123203	Bracket Cover*
10	0808699	F.H.C.S 1/4-20 x 1.00 - Socket
11	0788699	S.H.C.S. 1/4-20 x 1.00
12	1454799	B.H.C.S., 1/4-28 x 1/2

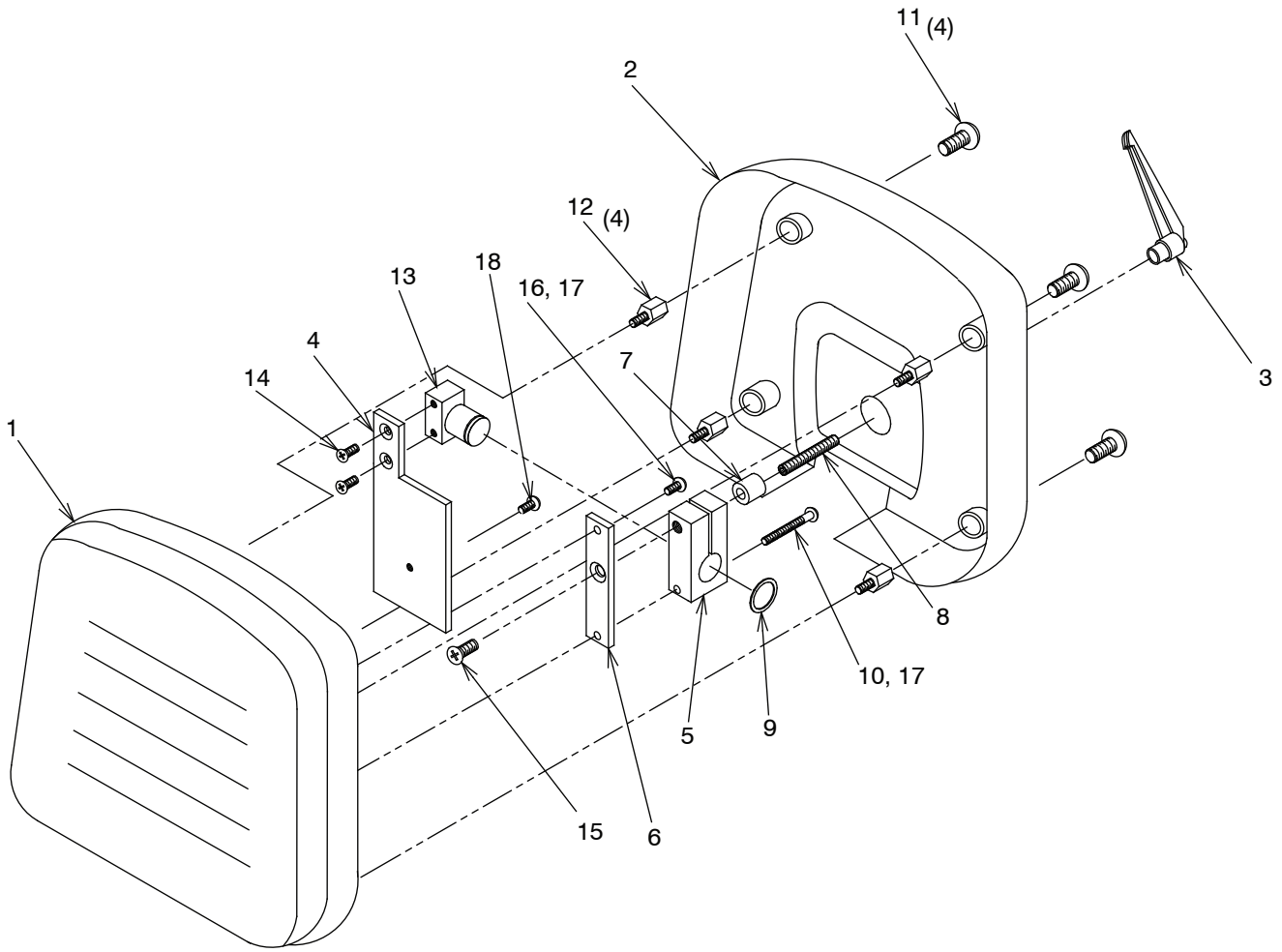
To order complete Headrest Assembly use P/N.

665200 #10 Headrest Assembly\*

\*Please specify paint color when ordering.

\*\* Please specify upholstery color when ordering.

FIGURE 9  
No. 11 Headrest Assembly



ITEM	PART NO.	DESCRIPTION
1	1557573	Uph. #11 Pad Assembly**
2	1558897	Headrest Cover
3	1562499	3/8" Adjustable Handle
4	1558903	Mounting Plate*
5	1559295	Headrest Lock Block
6	1559395	Headrest Pad Mounting Plate
7	1207199	3/4 O.D. x 3/8 I.D. x 3/4 Spacer
8	1562899	S.H.S.S., 3/8-16 x 2 1/2
9	0472999	Retaining Ring
10	1559599	R.H.M.S., 1/4-20 x 2 1/2
11	1526399	T.H.M.S., 5/16-18 x 1/2
12	1571799	Short Standoff
13	1559092	Stud Mount Assembly
14	0712999	F.H.M.S., 1/4-20 x 3/4
15	1559499	F.H.M.S., 3/8-16 x 3/4
16	0713199	R.H.M.S., 1/4-20 x 3/4
17	0728299	1/4 Lockwasher
18	1454799	B.H.C.S., 1/4-28 x 1/2

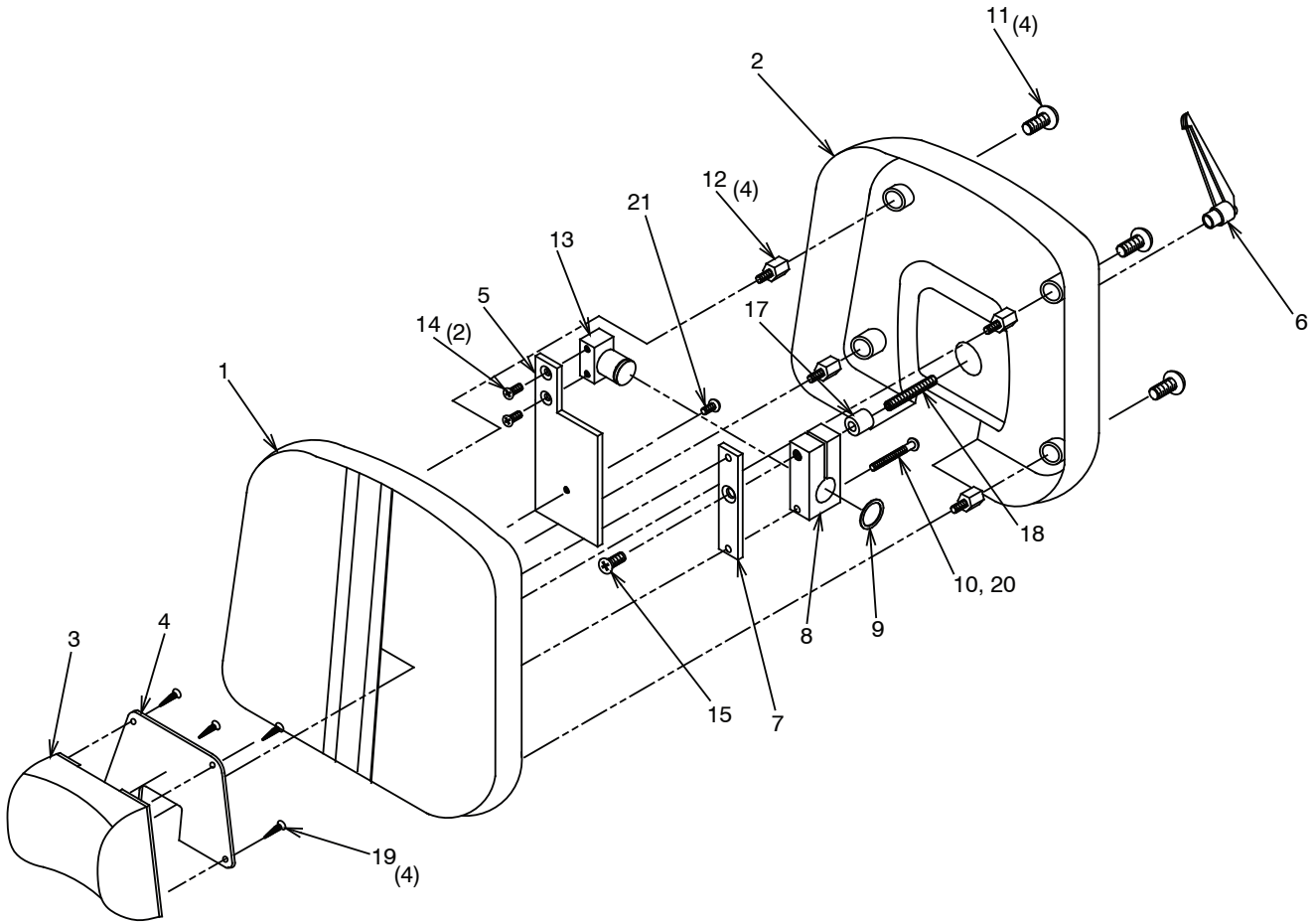
To order complete Headrest Assembly use P/N.

155720 #11 Headrest Assembly\*

\*Please specify paint color when ordering.

\*\* Please specify upholstery color when ordering.

FIGURE 10  
No. 21 Headrest Assembly



ITEM	PART NO.	DESCRIPTION
1	1846373	Uph. #21 Board Assembly**
2	1558897	Headrest Cover
3	0574173	Pillow Assembly**
4	0568003	Pillow Board Back Cover*
5	1558903	Mounting Plate*
6	1562499	3/8" Adjustable Handle
7	1559395	Headrest Pad Mounting Plate
8	1559295	Headrest Lock Block
9	0472999	Retaining Ring
10	1559599	R.H.M.S., 1/4-20 x 2 1/2
11	1526399	T.H.M.S., 5/16-18 x 1/2
12	1571799	Short Standoff
13	1559092	Stud Mount Assembly
14	0712999	F.H.M.S., 1/4-20 x 3/4
15	1559499	F.H.M.S., 3/8-16 x 3/4
16	0713199	R.H.M.S., 1/4-20 x 3/4
17	1207199	3/4 O.D. x 3/8 I.D. x 3/4 Spacer
18	1562899	S.H.S.S., 3/8-16 x 2 1/2
19	0845199	F.H.W.S., #6 x 1/2 - Phil
20	0728299	1/4 Lockwasher
21	1454799	B.H.C.S., 1/4-28 x 1/2

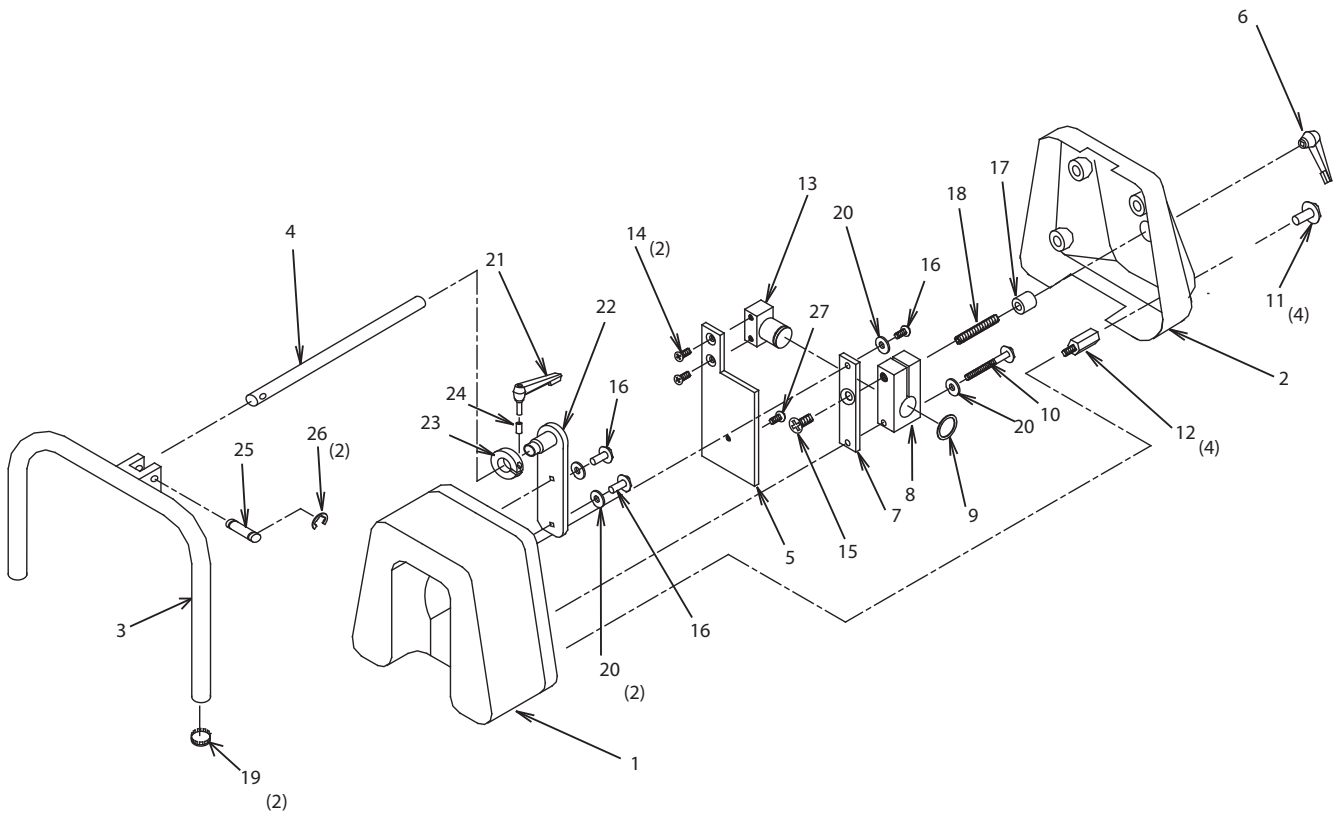
To order complete Headrest Assembly use P/N.

184640 #21 Headrest Assembly\*

\*Please specify paint color when ordering.

\*\* Please specify upholstery color when ordering.

FIGURE 11  
No. 20 Headrest Assembly





ITEM	PART NO.	DESCRIPTION
1	1600273	Uph. #20 Headrest Cushion**
2	1593997	Headrest Cover
3	1594982	Arm Support Weldment
4	1596499	Arm Support Post
5	1558903	Mounting Plate*
6	1564299	3/8" Adjustable Handle
7	1559395	Headrest Pad Mounting Plate
8	1559295	Headrest Lock Block
9	0472999	Retaining Ring
10	1559599	R.H.M.S., 1/4-20 x 2 1/2
11	1523699	T.H.M.S., 5/16-18 x 1/2
12	1571799	Short Standoff
13	1559092	Standoff Mount Assembly
14	0712999	F.H.M.S., 1/4-20 x 3/4
15	1559499	F.H.M.S., 3/8-16 x 3/4
16	0713199	R.H.M.S., 1/4-20 x 3/4
17	1207199	3/4 O.D. x 3/8 I.D. x 3/4 Spacer
18	1562899	S.H.S.S., 3/8-16 x 2 1/2
19	0948199	Plug, Button
20	0728299	1/4 Lockeasher
21	1613982	Adjustable Handle
22	1594879	Support Plate Weldment
23	1594599	Lock Clamp
24	1613895	Sleeve Spacer
25	1594499	Rotation Pin
26	0732599	Retaining Ring
27	1454799	B.H.C.S., 1/4-28 x 1/2

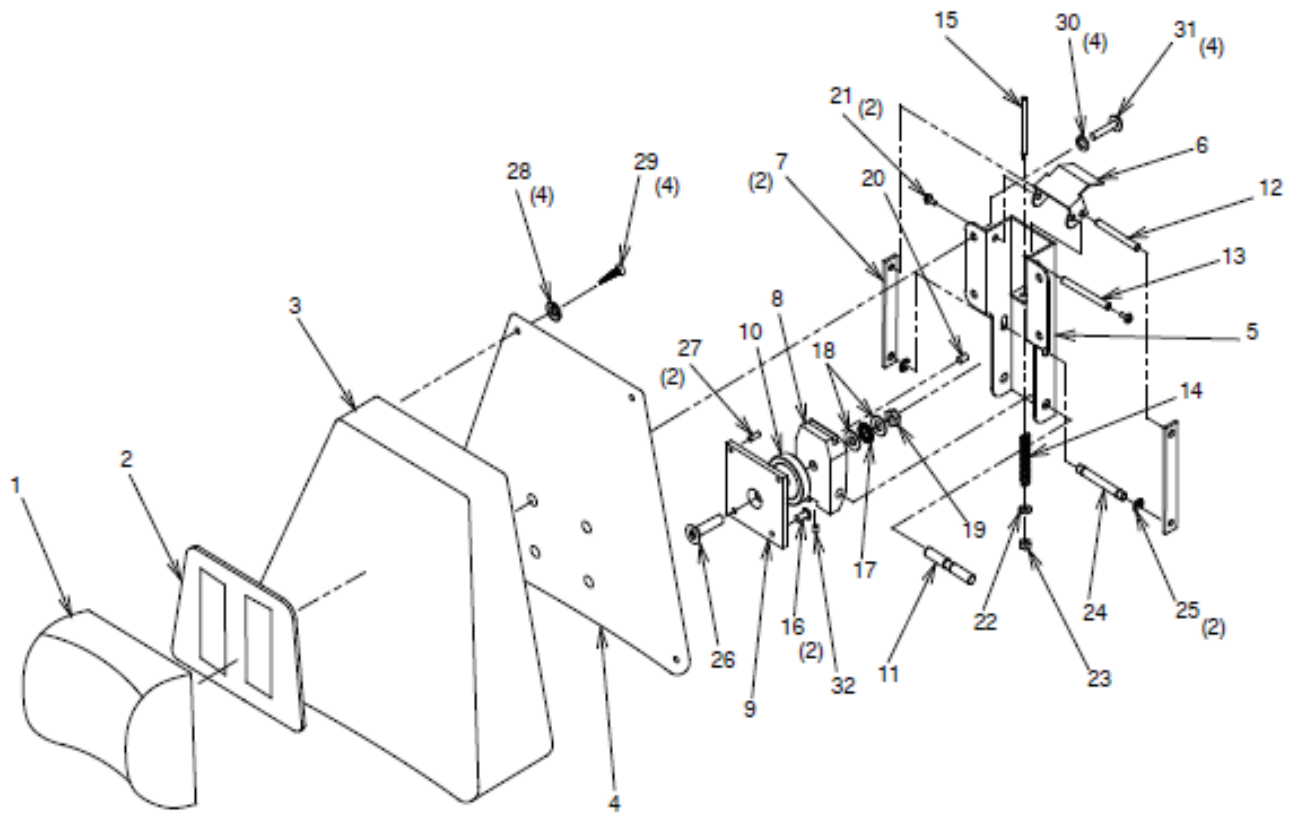
To order complete Headrest Assembly use P/N.

159500 #20 Headrest Assembly\*

\*Please specify paint color when ordering.

\*\* Please specify upholstery color when ordering.

FIGURE 12  
No. 27 Headrest Assembly



ITEM	PART NO.	DESCRIPTION
1	1920873	Uph. Pillow - Magnetic**
2	1920973	Pillow Back Cover Assembly**
3	1920773	Uph. Headrest Board**
4	1923003	Headrest Back Cover*
5	1922803	Headrest Housing*
6	1922903	Release Lever*
7	1921979	Release Link
8	1921676	Pivot Block
9	1921879	Mounting Plate
10	1921799	Nylon Spacer
11	1922499	Pivot Pin
12	1922299	Internal Pin
13	1922399	Release Lever Pin
14	1922099	Spring
15	1922199	Spring Pin
16	1454799	B.H.C.S., 1/4-28 x 1/2
17	1725599	Thrust Bearing
18	1725699	Thrust Washer
19	0304599	3/8-16 Lock Nut
20	0722899	S.S.H.S., 1/4-20 x 3/8
21	0290299	T.H.M.S., #6-32 x 3/8
22	0729899	Washer
23	0282599	#10-24 Flexlock Nut
24	1922599	Locking Pin
25	0673399	Retaining Ring
26	1806699	F.H.C.S., 3/8-16 x 1 1/2
27	0761799	3/16 x .50 Roll Pin
28	0569799	#6 Washer
29	0569699	O.H.W.S., #6 x 3/4
30	0728299	1/4 Split Lock Washer
31	0292799	R.H.M.S., 1/4-20x 1.00 - Zinc
32	0802599	S.S.H.S., #10-24 x 1/4

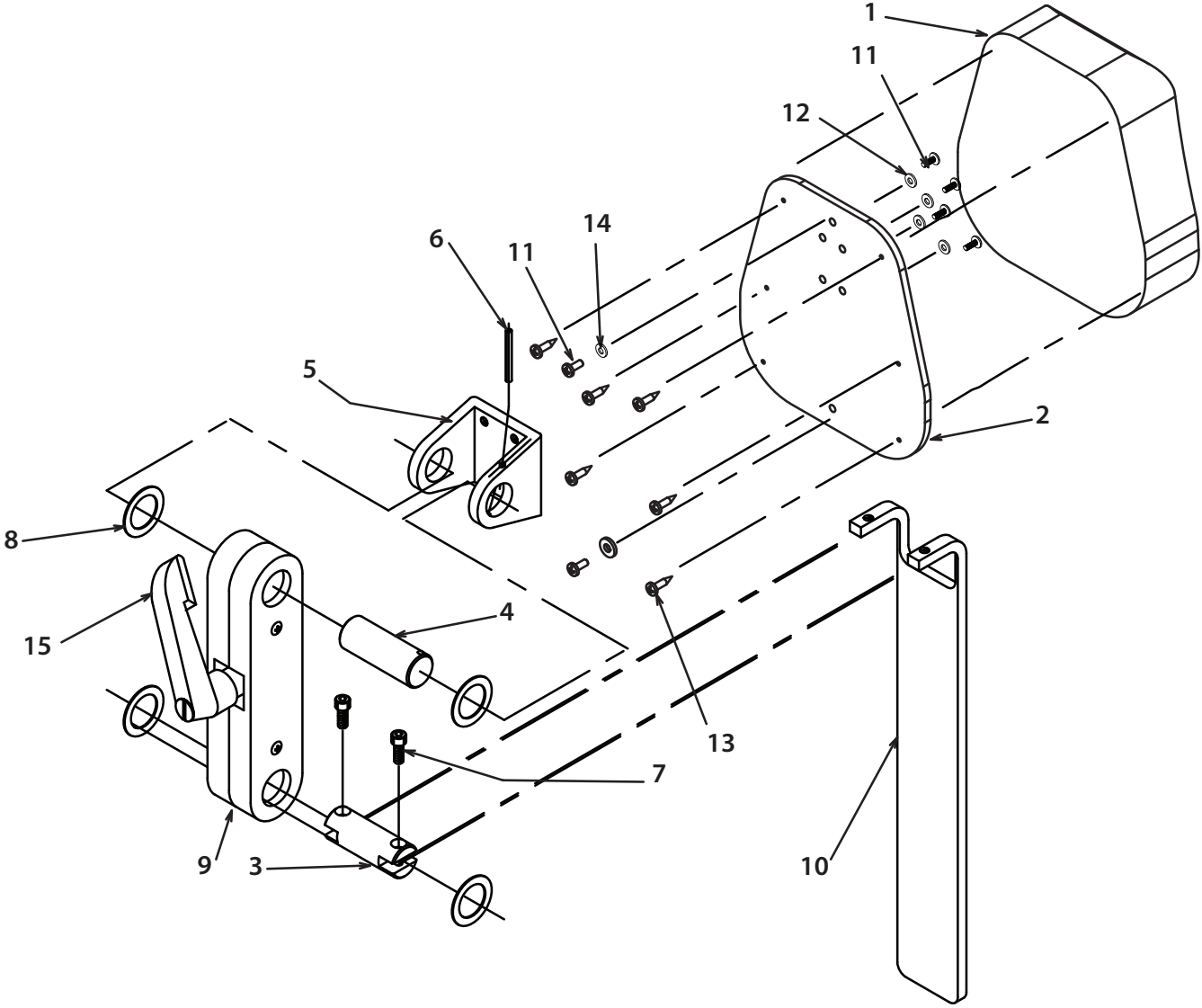
To order complete Headrest Assembly use P/N.

192050 #27 Headrest Assembly\*

\*Please specify paint color when ordering.

\*\* Please specify upholstery color when ordering.

FIGURE 13  
C6 Headrest Assembly



ITEM	PART NO.	DESCRIPTION
1	2262300	Uph. Pillow Artic Headrest**
2	1948600	Back Cover Assembly
3	2257799	Pin, Elevator Bar
4	2257699	Pin, Pivot
5	2262199	U-Bracket, Lock Hinge
6	2287299	Roll Pin, .13 x 1.25
7	2261999	S.H.C.S., #10-24 x .50 Long
8	0527699	Washer, 1.13 O.D x .76 I.D.
9	2336000	Sub-Assembly, Lock Mechanism
10	2262299	Elevator Bar, Short Bend
11	2262099	F.H.C.S., #10-24 x .63
12	0730199	Washer, .312 SAE
13	2115499	O.H.W.S. w/Washer, #8 x .75
14	0401699	Washer, #10
15	1562499	Handle Adj. - 3/8

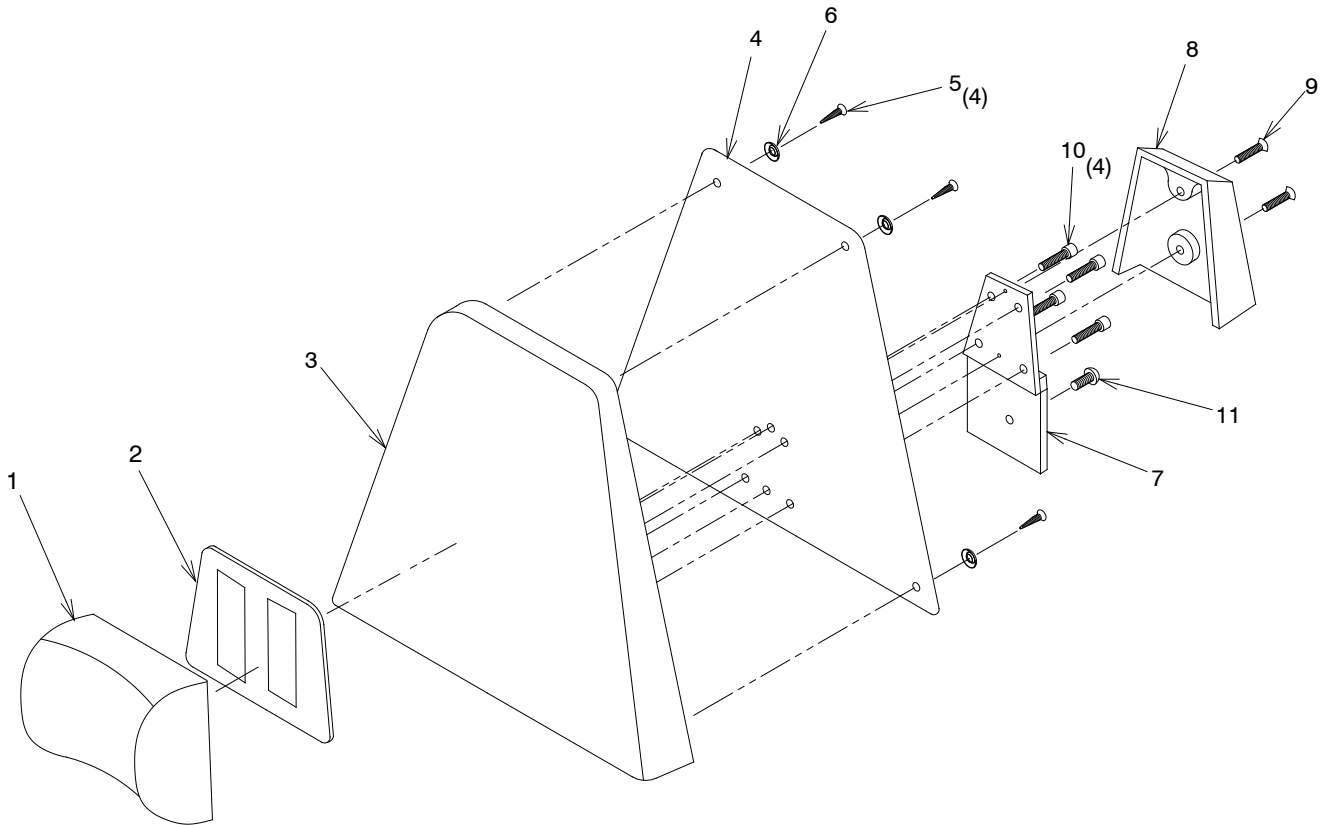
To order complete Headrest Assembly use P/N.

030601 C6 Headrest Assembly\*

\*Please specify paint color when ordering.

\*\* Please specify upholstery color when ordering.

FIGURE 14  
No. 30 Headrest Assembly



ITEM	PART NO.	DESCRIPTION
1	1920873	Uph. Pillow - Magnetic**
2	1920973	Pillow Back Cover Assembly**
3	3036573	Uph. Headrest Board**
4	0567903	Headrest Back Cover*
5	0569699	O.H.W.S. #6 x 3/4
6	0569799	#6 Finishing Washer
7	0557499	Mounting Plate Assembly
8	0123203	Bracket Cover*
9	1111399	F.H.C.S 1/4-20 x 3/4 - Socket
10	0788699	S.H.C.S. 1/4-20 x 1.00
11	1454799	B.H.C.S., 1/4-28 x 1/2

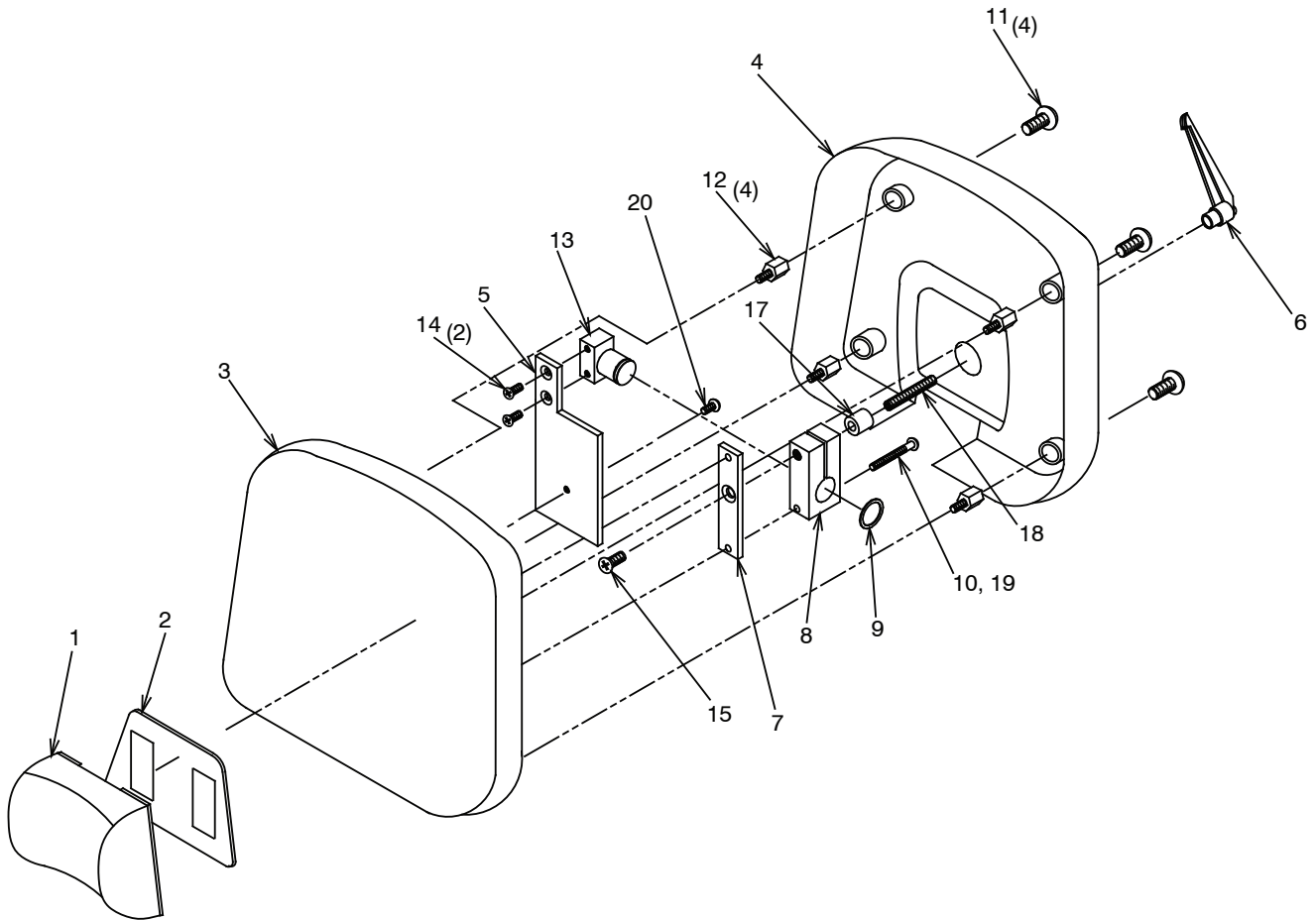
To order complete Headrest Assembly use P/N.

303640 #30 Headrest Assembly\*

\*Please specify paint color when ordering.

\*\* Please specify upholstery color when ordering.

FIGURE 15  
No. 31 Headrest Assembly





ITEM	PART NO.	DESCRIPTION
1	1920873	Uph. Pillow - Magnetic
2	1920973	Pillow Back Cover Assembly
3	3075173	Uph. Headrest Board - #31
4	1558897	Headrest Cover
5	1558903	Mounting Plate*
6	1562499	3/8" Adjustable Handle
7	1559395	Headrest Pad Mounting Plate
8	1559295	Headrest Lock Block
9	0472999	Retaining Ring
10	1559599	R.H.M.S., 1/4-20 x 2 1/2
11	1526399	T.H.M.S., 5/16-18 x 1/2
12	1571799	Short Standoff
13	1559092	Stud Mount Assembly
14	0712999	F.H.M.S., 1/4-20 x 3/4
15	1559499	F.H.M.S., 3/8-16 x 3/4
16	0713199	R.H.M.S., 1/4-20 x 3/4
17	1207199	3/4 O.D. x 3/8 I.D. x 3/4 Spacer
18	1562899	S.H.S.S., 3/8-16 x 2 1/2
19	0728299	1/4 Lockwasher
20	1454799	B.H.C.S., 1/4-28 x 1/2

To order complete Headrest Assembly use P/N.

307500 #31 Headrest Assembly\*

\*Please specify paint color when ordering.

\*\* Please specify upholstery color when ordering.

## CLEANING AND MAINTENANCE

### Cleaning the Upholstery

When cleaning upholstery, it is suggested that you use all recommended commercial cleaning agents in an inconspicuous spot to check for potential damage to the upholstery material before applying to the entire area to be cleaned.

#### Day to Day soil:

Remove ordinary dirt and smudges with a mild soap and warm water solution. Dry with a soft, lint-free cloth or towel. For more difficult stains, use of a stronger detergent is recommended; however, follow the detergent manufacturer's instructions closely.

#### Disinfecting Material:

In order to disinfect, use a 1:9 solution of bleach and water (1 part bleach to 9 parts water). Wipe surface with damp cloth then rinse with water immediately, using a damp cloth.

#### Special cleaning problems:

The following methods are recommended to clean stains on PreFixx-protected vinyl upholstery. Most stains will be removed when these cleaning agents are used in the following order.

**Type 1 Cleaners:** Nonabrasive household cleaners to be used with water and a soft cloth.

- Formula 409®~ All-Purpose Spray Cleaner
- Fantastik® Spray Cleaner
- Other similar household cleaners and bleaches

**Type 2 Cleaners:** Solvent-type cleaner to be liberally applied with a soft cloth. Dry area with another cloth, rinse with clean water and dry.

- Rubbing alcohol (isopropyl alcohol)
- Lighter fluid (naptha)

**Type 3 Cleaners:** Strong, active solvent cleaners such as nail polish remover (acetone/water) to be applied with a soft cloth. Stain should be removed with less than six (6) rubs; if stain persists after six rubs, contact manufacturer. Dry area with another cloth, rinse with clean water and dry.



**CAUTION-** These solvents are highly flammable. Exercise proper care in cleaning and notify personnel in area of danger. Wear rubber gloves during all cleaning activity. Use caution in cleaning around buttons, stitching and wooden or other decorative trim, since these solvents could seriously damage such areas.



**ATTENTION - Ces dissolvants sont hautement inflammables. Prenez le soin approprié dans le nettoyage et informez le personnel dans la zone du danger. Utilisez les gants en caoutchouc pendant toute l'activité de nettoyage. Faites attention en nettoyant autour des boutons, en piquant et panneau en bois ou autre décoratif, puisque ces dissolvants pourraient sérieusement endommager de telles zones.**

### Cleaning Painted Surfaces

The painted metal surfaces are covered in durable, powder-coated paint which is resistant to scratching and scuffing. It may be cleaned with a clean cloth dampened with mild, soapy water or equivalent household product that uses spray application.

### Recommended Infection Control Products

The disinfectant/cleaner products that we have tested and recommend for our upholstery, painted items and plastic covers are as follows.

- Cavicide® Hospital Disinfectant
- Precise® Hospital Foam Cleaner Disinfectant



**CAUTION - Follow manufacturer's directions for concentration and application of disinfecting material. Avoid prolonged application of any disinfectant/cleaner products, because they may cause staining of upholstery material.**



**ATTENTION - Suivez les sens du constructeur pour la concentration et l'application de la désinfection produit. Évitez l'application prolongée de tous les produits désinfectants/plus propres, parce qu'elles peuvent causer la souillure du produit de capitonnage.**

## LIMITED WARRANTY

The Reliance® product must be used only for the purposes and in the manner described in the literature distributed with the product. The products are warranted against defective materials and workmanship for a period of one (1) year from date of installation. Products or parts thereof will be repaired or replaced as required at Reliance® Medical Products, Inc. Such repair or replacement shall be the sole remedy under this warranty. This warranty extends only to the original purchaser from an authorized Reliance® dealer and is subject to the following conditions:

1. The warranty card must be completed and returned to Reliance® Medical Products, Inc. within two (2) weeks from the date of installation.
2. Installation and servicing of the products must be performed by trained Reliance® equipment dealer service personnel in accordance with the appropriate instructions manual for the products. Warranty will be voided if installation is performed by a non-authorized individual
3. The products have not sustained breakage or other types of damage due to accident or misuse.
4. This warranty will not apply to Reliance® products which have had the serial number removed, altered or effaced.

**EXCEPT FOR THE EXPRESS WARRANTY SET FORTH ABOVE, RELIANCE® DOES NOT GRANT ANY WARRANTIES, EITHER EXPRESS OR IMPLIED, INCLUDING IMPLIED WARRANTIES OF MERCHANTABILITY OR FITNESS FOR A PARTICULAR USE.**

Reliance® Medical Products neither assumes nor authorizes any person to assume for it, any other liability in connection with the sale and use of its products.

**REMEDIES ARE LIMITED EXCLUSIVELY TO REPAIR OR REPLACEMENT OF PARTS. RELIANCE® MEDICAL PRODUCTS, INC. EXPRESSLY DISCLAIMS LIABILITY FOR INCIDENTAL OR CONSEQUENTIAL DAMAGE RESULTING FROM THE USE OF THE EQUIPMENT.**

Claims covered by this warranty will be honored when presented within one (1) month from discovery of a defect.

<b>EC</b>	<b>REP</b>	Authorized European Community Representative
<b>HAAG-STREIT UK</b>		
<b>Edinburgh Way</b>		
<b>Harlow, Essex, England</b>		
<b>CM20 2TT</b>		
<b>United Kingdom</b>		



**Reliance Medical Products, Inc.**  
**3535 Kings Mills Road**  
**Mason, Ohio 45040-2303 USA**  
**1-800-735-0357 (Customer Service)**  
**1-800-735-0358 (Technical Service)**  
**(513) 398-3937**  
**[Http://www.reliance-medical.com](http://www.reliance-medical.com)**

**P/N 27369 REV F**  
© Copyright 2015  
Printed in U.S.A.  
Revised 10-2016-8672