

INSTALLATION AND OPERATING INSTRUCTIONS

OWNERS MANUAL

EN | FR

SERIES 4200 PNEUMATIC STOOLS



MODEL/SERIAL NUMBER

For your future reference, mark the model number or serial number in the space provided.

QUALITY MANAGEMENT
SYSTEM
REGISTERED TO
ISO 13485



TABLE OF CONTENTS

IMPORTANT INFORMATION	3
1. INTRODUCTION	4
2. INSTALLATION	4
2.1. Unpacking	4
2.2. Assembly	4
3. OPERATING INSTRUCTIONS	5
3.1. Seat Height Adjustment	5
3.2. Back Rest Adjustment	5
4. Replacement of Parts	5
PARTS LIST	7
CLEANING AND MAINTENANCE	13
LIMITED WARRANTY	14

IMPORTANT INFORMATION

SAFETY SYMBOLS



“DANGER”, “WARNING”, or “CAUTION”

The exclamation point within a triangle is intended to alert the user to the presence of important operating and maintenance (servicing) instructions in this Installation and Operating Instructions.



“NOTE”

Note indicates points of particular or additional information.



Safe Working Load

TRANSPORTATION / STORAGE CONDITIONS

Temperature: Operating: 50 to 104° F
10 to 40° C

Storage: -40 to +158° F
-40 to +70° C

Relative Humidity: Operating: 30%RH to 75%RH
without condensation
Storage: 10%RH to 100%RH
including condensation

Atmospheric Pressure

Operating: 700hPa to 1060hPa
Storage: 500hPa to 1060hPa

1. INTRODUCTION

1.1. This manual contains information applicable only to the Reliance® Series 4200 Stools. Should you have a different model, please disregard any information that does not apply.

1.2. Whenever you see the symbols shown below, heed their instructions! Always follow safe operating and maintenance practices.



“WARNING”- The warning symbol identifies special instructions or procedures which, if not correctly followed, could result in personal injury.



“VERTISSANT”- Le symbole d'avertissement identifie les instructions spéciales ou les procédures qui, sinon correctement suivi, pourraient avoir comme conséquence des blessures.



“CAUTION”- This caution symbol identifies special instructions or procedures which, if not strictly observed, could result in damage to or destruction of equipment.



“ATTENTION” - ce symbole d'attention identifie les instructions spéciales ou les procédures aux lesquelles, sinon strictement observés, pourrait avoir comme conséquence les dommages ou la destruction de l'équipement.



“NOTE”- Note indicates points of particular or additional information.



“NOTE” - la note indique des remarques d'information particulière ou supplémentaire.

1.3 Should your product not perform properly, or if you have any questions concerning the use and care of any Reliance® product, contact the Reliance® Distributor where you purchased this product or contact the Technical Service Department, Reliance® Medical Products, Inc., 3535 Kings Mills Road, Mason, Ohio 45040-2303, or call (800) 735-0358.



“NOTE”- Always have the model number and serial number available before contacting Reliance® or your authorized Reliance® Distributor.



“NOTE”- Ayez toujours le numéro et le numéro de série de type disponibles avant Reliance® entrant en contact ou votre distributeur autorisé de Reliance®.

2. INSTALLATION

2.1. Unpacking

2.1.1. Open the shipping carton carefully and record any shipping damage to the carton or to the contents.

2.1.2. Remove all contents from the shipping carton. Note that Model 4246 stool is shipped with the back support mounted, but inverted.



“WARNING” - Never place a damaged stool into service. Contact your Reliance® Distributor.



“AVERTISSANT” - Ne placez jamais un tabouret endommagé en service. Entrez en contact avec votre distributeur de Reliance®.

2.2. Assembly

2.2.1. If the Model 4240 was ordered, there is no assembly required. To assemble Model 4246, loosen the thumbscrew (Item 5, Figure 1) and remove the back support (Item 3, Figure 1). Re-install the back support in its correct (upright) position and tighten the thumbscrew.

2.2.2. Remove the upholstered back assembly (Item 1, Figure 1) from the smaller box and remove the handwheel (Item 2, Figure 1) and two washers (Item 6, & Item 7, Figure 4). Insert the stud on the upholstered back through the slot in the back support and the washers on the same side as the handwheel.

2.2.2.1. Hold the upholstered back in the correct position and tighten the handwheel.



“NOTE”- When installing the upholstered back, make sure the narrow portion of the back is down, or closest to the upholstered seat.



“NOTE”- En installant tapissé en arrière, assurez-vous que la partie étroite du dos est en baisse, ou le plus proche du siège tapissé.

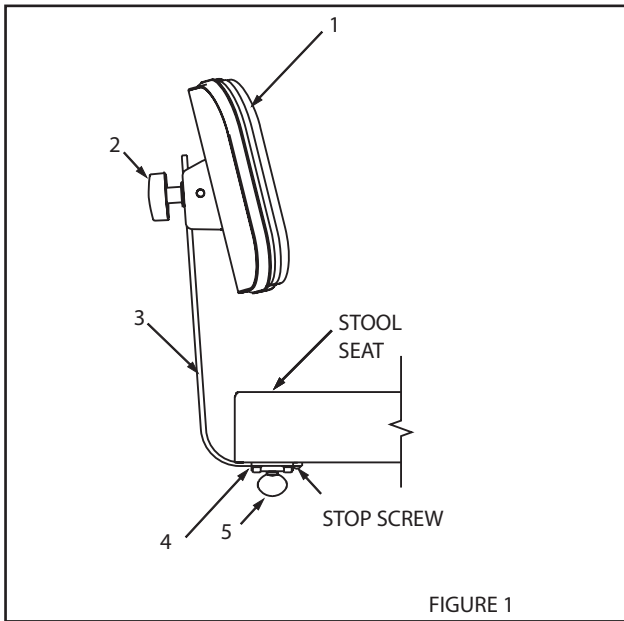


FIGURE 1



“NOTE”- After support bar has been inserted into back support per the assembly instructions (section 2.2), insert stop screw into threaded hole in end of support bar. The #10-24 x ¼ Round Head Machine Screw (Part Number 2037299) is shipped in the parts bag.



“NOTE”- Après que la barre de soutien ait été insérée dans l’appui arrière par instructions d’assemblage (section 2.2), insérez la vis d’arrêt dans le trou fileté dans l’extrémité de la barre de soutien. Les #10-24 la vis principale que ronde de machine de ¼ de X (numéro de la pièce 2037299) est embarquée dans les pièces mettent en sac.

3. OPERATING INSTRUCTIONS

3.1. Seat Height Adjustment

3.1.1. A metered gas spring device provides for controlled raising of the stool seat without load and controlled lowering under load.

3.1.2 To raise the seat, support the body weight from the floor and raise the lock handle lever located under the seat. Allow the seat to rise to the desired position and release the handle.



“CAUTION”- When raising the seat, ensure that the stool remains clear of any furniture or equipment. Otherwise, the resulting raising force may damage the furniture, equipment or stool.



“ATTENTION” - En soulevant le siège, assurez-vous que le tabouret reste dégagé de n’importe quels meubles ou équipement. Autrement, la force augmentante résultante peut endommager les meubles, l’équipement ou le tabouret.

3.2. Back Rest Adjustment

3.2.1. The back rest typical of Model 4246 can be adjusted vertically and horizontally.

3.5.2. To adjust the back rest vertically, loosen the black handwheel, (Item 2, Figure 1), move the back rest to the desired position and tighten the hand-wheel.

3.2.3. To adjust the back rest horizontally, loosen the thumbscrew (Item 5, Figure 1), move the support bar, Item 3, as desired and tighten the thumb screw securely.



“WARNING”- The foot rest ring is intended for lightweight foot support only and is not intended for use as a step/weight bearing support. If repositioning of the body is needed while seated, you must insure both feet are firmly placed on the floor before shifting your weight.



“VERTISSANT”- l’anneau de repos de pied est prévu pour l’appui léger de pied seulement et n’est pas prévu pour l’usage comme support de roulement d’étape/poids. le remplacement de LF du corps est nécessaire tandis que posé, vous doit assurer les deux pieds sont fermement placés sur le plancher avant de décaler votre poids.

4. Replacement of Parts

4.1. When ordering replacement parts, please specify the model number of the stool and the proper part number from the following figures.

4.2. When ordering upholstered items, please specify color.

(PAGE LEFT BLANK INTENTIONALLY)

**PARTS LIST
RELIANCE® MODEL 4200
SERIES STOOL**



“Note” : When ordering parts, please:

1. Advise dealer or factory of model and serial number of stool. These numbers are on the label that is located on the seat bottom.
2. Upholstered parts have an asterisk(*) behind the part description.



“Note” : Lors d'une commande de pièces, s'il vous plaît :

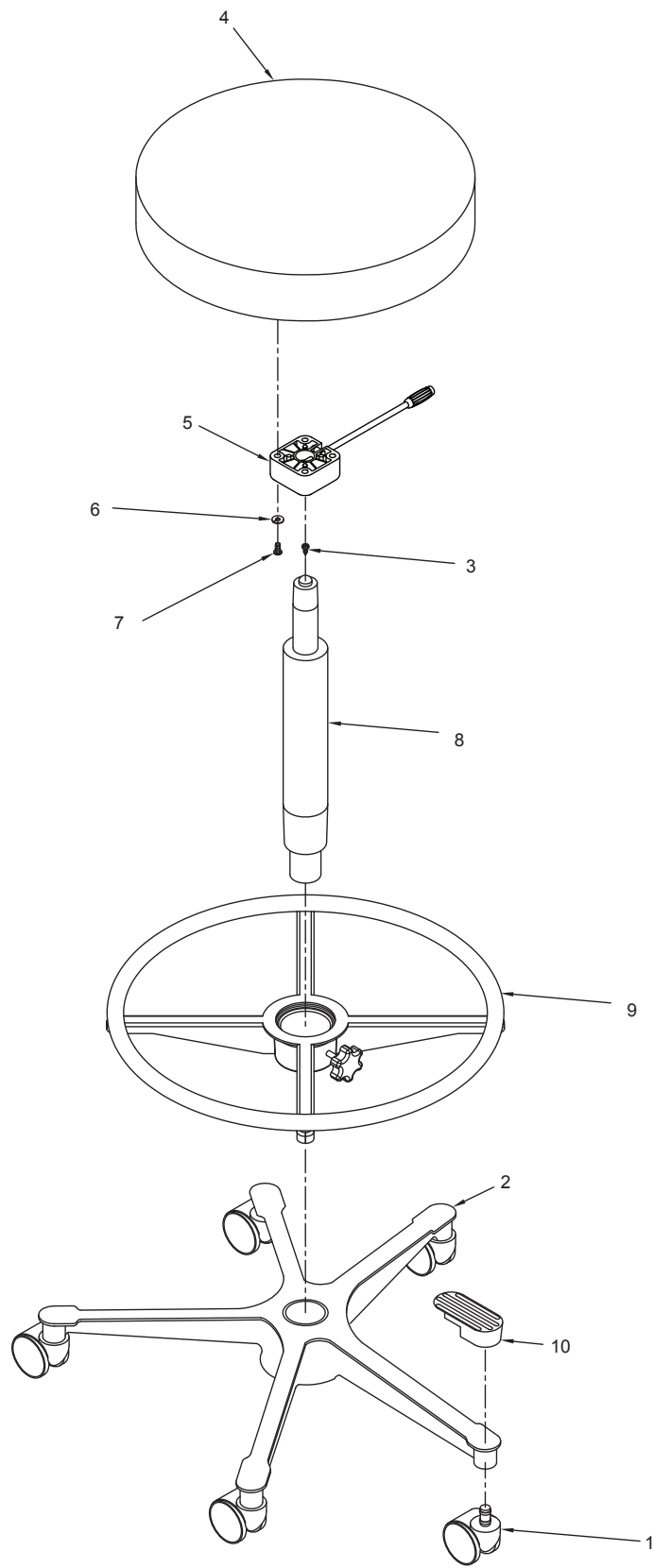
1. Informez le distributeur ou l'usine du modèle et du numéro de série des selles. Ces numéros sont sur l'étiquette qui est située sur le bas de portée.
2. Les pièces tapissées ont un astérisque (*) derrière la description de pièce.

Should your stool not perform properly, or if replacement parts are needed, contact the Reliance® Distributor, where you purchased this product or contact the Technical Service Department, Reliance® Medical Products, Inc., 3535 Kings Mills Road, Mason, Ohio 45040-2303, or call (800) 735-0358.

ITEM	PART NO.	DESCRIPTION
1	0478699	BALL CASTER
	1570999	GLIDE - 2-5/16 TALL
	0613399	CASTER-2-1/2
	0637199	CONDUCTIVE CASTER
	1565399	CASTER - 2" DIA. TWIN WHEEL
2	2037399	BASE, STOOL 4200 SERIES, 50MM
3	0301599	SCREW, PH #8 AB X 1/2 SELF TAP, PHIL
4	1664173*	SEAT, UPHOLSTERED
5	2735799	SEAT MOUNT ASS'Y
6	0728299	LOCKWASHER - 1/4
7	0713499	R.H.M.S. 1/4-20 x 1-1/4
8	2037499	COLUMN ASS'Y -4200 SERIES, 50MM
9	2336399	FOOTREST, RING
10	1565499	CAP, BASE - SNAP ON

TABLE FIGURE 2

* WHEN ORDERING PLEASE SPECIFY UPHOLSTERY COLOR
NOTE: TO CONVERT A 4240 STOOL TO 4246 USE KIT NO.
1443673

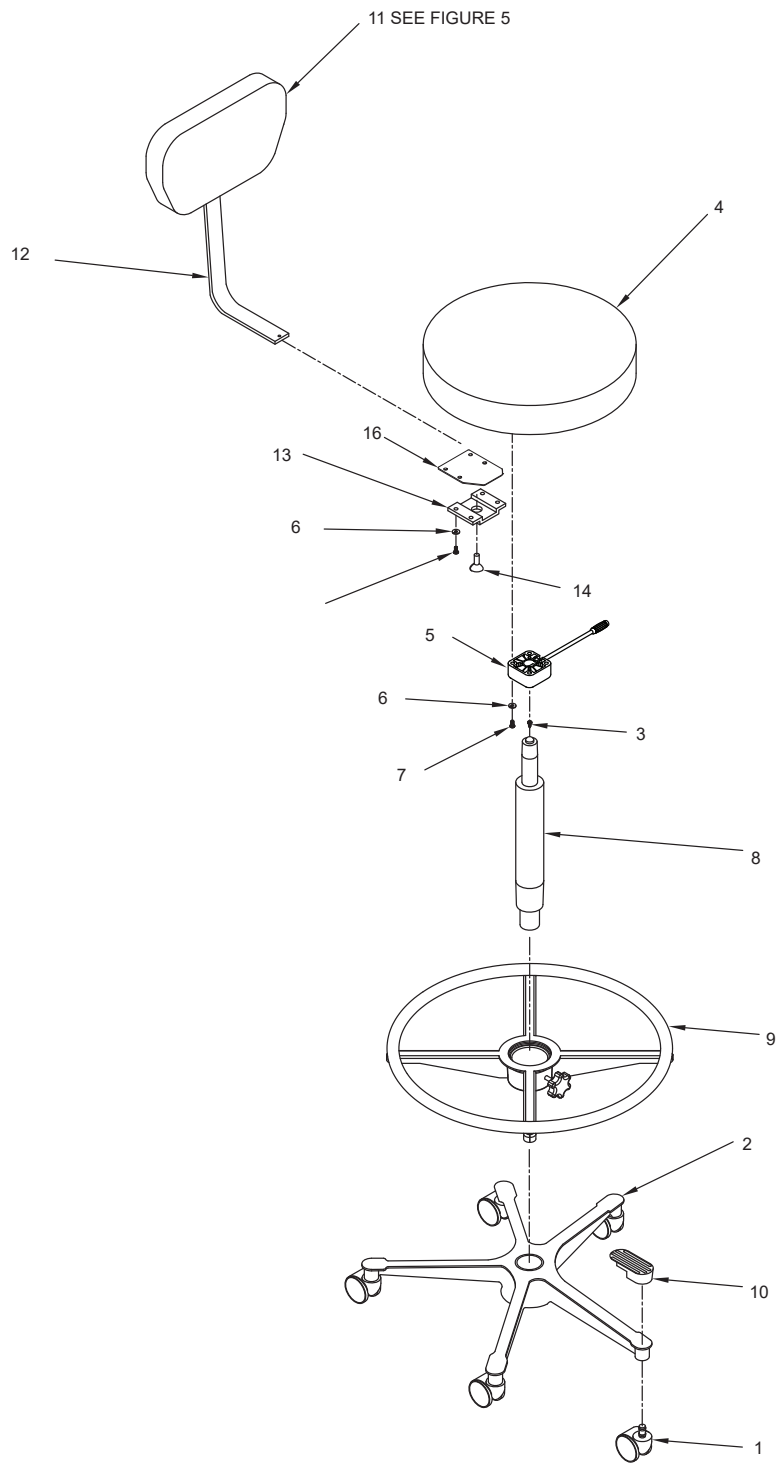


RELIANCE®
MODEL 4240 PNEUMATIC STOOL, AND
BASE PARTS
FIGURE 2

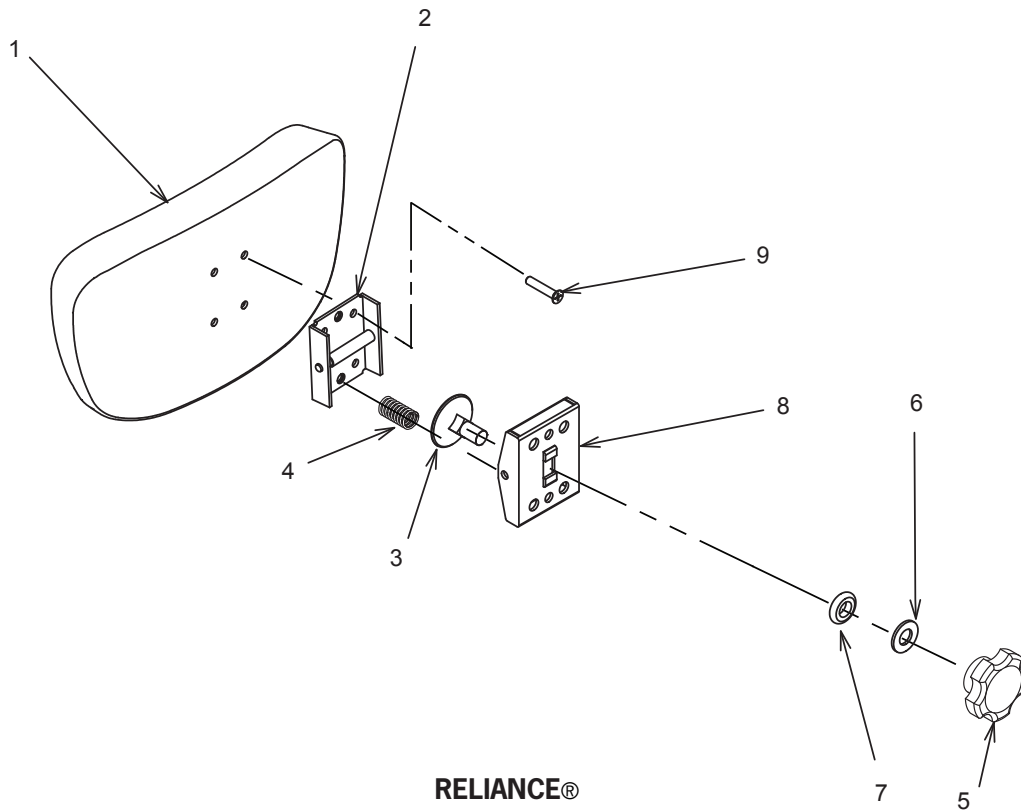
ITEM	PART NO.	DESCRIPTION
1	0478699	BALL CASTER
	1570999	GLIDE - 2-5/16 TALL
	0613399	CASTER-2-1/2
	0637199	CONDUCTIVE CASTER
	1565399	CASTER - 2" DIA. TWIN WHEEL
2	2037399	BASE, STOOL 4200 SERIES, 50MM
3	0301599	SCREW, PH #8 AB X 1/2 SELF TAP, PHIL
4	1664173*	SEAT, UPHOLSTERED
5	2735799	SEAT MOUNT ASS'Y
6	0728299	LOCKWASHER - 1/4
7	0713499	R.H.M.S. 1/4-20 x 1-1/4
8	2037499	COLUMN ASS'Y -4200 SERIES, 50MM
9	2336399	FOOTREST, RING
10	1565499	CAP, BASE - SNAP ON
11	2343673*	SECRETARY BACKREST ASSEMBLY
12	2343085	BACK SUPPORT
13	1288799	BACK SUPPORT MOUNT
14	0781699	THUMBSCREW, 3/8-24
15	0292799	R.H.M.S., 1/4-20 X 1.00 - ZINC
16	3155499	Spacer, Back Support Mount

TABLE FIGURE 3

* WHEN ORDERING PLEASE SPECIFY UPHOLSTERY COLOR



RELIANCE®
MODEL 4246 PNEUMATIC STOOL, AND
BASE PARTS
FIGURE 3



RELIANCE®
SECRETARY BACKREST ASSEMBLY
FIGURE 4

ITEM	PART NO.	DESCRIPTION
1	1289073*	UPH. Back
2	1408099	Hinge & Pivot
3	0306799	Elevator Bolt
4	1407999	Spring
5	1987599	Knob, 5 Lobe, 3/8-16 Insert
6	2342899	Washer, 3/8, Black Oxide
7	2342999	Washer, 3/8 Nylon
8	1408199	Hinge Cover
9	0717799	FHMS 10-24 x 1.00 Phil

TABLE FIGURE 4

* WHEN ORDERING PLEASE SPECIFY UPHOLSTERY COLOR

CLEANING AND MAINTENANCE

Cleaning the Upholstery

When cleaning upholstery, it is suggested that you use all recommended commercial cleaning agents in an inconspicuous spot to check for potential damage to the upholstery material before applying to the entire area to be cleaned.

Day to Day soil:

Remove ordinary dirt and smudges with a mild soap and warm water solution. Dry with a soft, lint-free cloth or towel. For more difficult stains, use of a stronger detergent is recommended; however, follow the detergent manufacturer's instructions closely.

Disinfecting Material:

In order to disinfect, use a 1:9 solution of bleach and water (1 part bleach to 9 parts water). Wipe surface with damp cloth then rinse with water immediately, using a damp cloth.

Special cleaning problems:

The following methods are recommended to clean stains on PreFixx-protected vinyl upholstery. Most stains will be removed when these cleaning agents are used in the following order.

Type 1 Cleaners: Nonabrasive household cleaners to be used with water and a soft cloth.

- Formula 409®~ All-Purpose Spray Cleaner
- Fantastik® Spray Cleaner
- Other similar household cleaners and bleaches

Type 2 Cleaners: Solvent-type cleaner to be liberally applied with a soft cloth. Dry area with another cloth, rinse with clean water and dry.

- Rubbing alcohol (isopropyl alcohol)
- Lighter fluid (naptha)

Type 3 Cleaners: Strong, active solvent cleaners such as nail polish remover (acetone/water) to be applied with a soft cloth. Stain should be removed with less than six (6) rubs; if stain persists after six rubs, contact manufacturer. Dry area with another cloth, rinse with clean water and dry.



“CAUTION”- These solvents are highly flammable. Exercise proper care in cleaning and notify personnel in area of danger. Wear rubber gloves during all cleaning activity. Use caution in cleaning around buttons, stitching and wooden or other decorative trim, since these solvents could seriously damage such areas.



“ATTENTION” - Ces dissolvants sont hautement inflammables. Prenez le soin approprié dans le nettoyage et informez le personnel dans la zone du danger. Utilisez les gants en caoutchouc pendant toute l'activité de nettoyage. Faites attention en nettoyant autour des boutons, en piquant et panneau en bois ou autre décoratif, puisque ces dissolvants pourraient sérieusement endommager de telles zones.

Cleaning Painted Surfaces

The painted metal surfaces are covered in durable, powder-coated paint which is resistant to scratching and scuffing. It may be cleaned with a clean cloth dampened with mild, soapy water or equivalent household product that uses spray application.

Recommended Infection Control Products

The disinfectant/cleaner products that we have tested and recommend for our upholstery, painted items and plastic covers are as follows.

- Cavicide® Hospital Disinfectant
- Precise® Hospital Foam Cleaner Disinfectant



“CAUTION” - Follow manufacturer's directions for concentration and application of disinfecting material. Avoid prolonged application of any disinfectant/cleaner products, because they may cause staining of upholstery material.



“ATTENTION” - Suivez les sens du constructeur pour la concentration et l'application de la désinfection produit. Évitez l'application prolongée de tous les produits désinfectants/plus propres, parce qu'elles peuvent causer la souillure du produit de capitonnage.

LIMITED WARRANTY

The Reliance® product must be used only for the purposes and in the manner described in the literature distributed with the product. The products are warranted against defective materials and workmanship for the period set forth in the warranty provided with each product. Products or parts thereof will be repaired or replaced as required at Reliance® Medical Products, Inc. Such repair or replacement shall be the sole remedy under this warranty. This warranty extends only to the original purchaser from an authorized Reliance® dealer and is subject to the following conditions:

1. The warranty card must be completed and returned to Reliance® Medical Products, Inc. within two(2) weeks from the date of installation.
2. Installation and servicing of the products must be performed by trained Reliance® equipment dealer service personnel in accordance with the appropriate instructions manual for the products.
3. The products have not sustained breakage or other type damage due to accident or misuse.
4. This warranty will not apply to Reliance® products which have had the serial number removed, altered or effaced.

EXCEPT FOR THE EXPRESS WARRANTY SET FORTH ABOVE, RELIANCE® DOES NOT GRANT ANY WARRANTIES, EITHER EXPRESS OR IMPLIED, INCLUDING IMPLIED WARRANTIES OF MERCHANTABILITY OR FITNESS FOR A PARTICULAR USE.

Reliance® Medical Products neither assumes nor authorizes any person to assume for it, any other liability in connection with the sale and use of its products.

REMEDIES ARE LIMITED EXCLUSIVELY TO REPAIR OR REPLACEMENT OF PARTS. RELIANCE® MEDICAL PRODUCTS, INC. EXPRESSLY DISCLAIMS LIABILITY FOR INCIDENTAL OR CONSEQUENTIAL DAMAGE RESULTING FROM THE USE OF THE EQUIPMENT.

Claims covered by this warranty will be honored when presented within one (1) month from discovery of a defect.

(NOTES)



MADE IN AMERICA

Reliance Medical Products, Inc.
3535 Kings Mills Road
Mason, Ohio USA 45040-2303
1-800-735-0357 (Customer Service)
1-800-735-0358 (Technical Service)
(513) 398-3937
[Http://www.reliance-medical.com](http://www.reliance-medical.com)

P/N 12899 REV L
© Copyright 2010
Printed in U.S.A.
Revised 8-2018-9059