

# Elara Tabletop Installation Instruction Manual

EN | FR

Look closer. See further.

**HS** HAAG-STREIT  
RELIANCE



## SERIAL NUMBER

---

For your future reference, mark the serial number in the space provided.

**Haag-Streit USA Inc.**

3535 Kings Mills Road  
Mason, Ohio 45040-2303

(800) 787-5426

[www.haag-streit-usa.com](http://www.haag-streit-usa.com)



**MADE IN USA**

QUALITY MANAGEMENT  
SYSTEM  
REGISTERED TO  
ISO 13485:2016

**TABLE OF CONTENTS**

<b>IMPORTANT INFORMATION .....</b>	<b>4</b>	<b>2. INSTALLATION .....</b>	<b>6</b>
<b>SAFETY SYMBOLS .....</b>	<b>4</b>	<b>2.1. Unpacking .....</b>	<b>6</b>
<b>TRANSPORTATION / STORAGE CONDITIONS .....</b>	<b>4</b>	<b>2.2. Installing Tabletop onto Slit Lamp Arm .....</b>	<b>6</b>
<b>1. INTRODUCTION .....</b>	<b>5</b>	<b>2.3. Installing Elara 900 Slit Lamp onto Tabletop .....</b>	<b>6</b>
<b>TECHNICAL SPECIFICATIONS .....</b>	<b>5</b>	<b>2.4. Routing Cables .....</b>	<b>7</b>
		<b>CLEANING AND MAINTENANCE .....</b>	<b>8</b>
		<b>LIMITED WARRANTY .....</b>	<b>9</b>

## IMPORTANT INFORMATION

### SAFETY SYMBOLS

Whenever you see the symbols shown below, heed their instructions! Always follow safe operating and maintenance practices.



**“DANGER” – THE DANGER SYMBOL IDENTIFIES SPECIAL INSTRUCTIONS OR PROCEDURES WHICH, IF NOT CORRECTLY FOLLOWED, COULD RESULT IN LOSS OF LIFE OR PERSONAL INJURY.**



**“DANGER” – LE SYMBOLE DANGER IDENTIFIE DES INSTRUCTIONS OU PROCEDURES SPÉCIALES QUI, SI ELLES NE SONT PAS SUIVIES CORRECTEMENT, POURRAIENT CAUSER UNE PERTE DE VIE OU UNE BLESSURE.**



**“WARNING” – THE WARNING SYMBOL IDENTIFIES SPECIAL INSTRUCTIONS OR PROCEDURES WHICH, IF NOT CORRECTLY FOLLOWED, COULD RESULT IN PERSONAL INJURY.**



**“AVERTISSEMENT” – LE SYMBOLE AVERTISSEMENT IDENTIFIE DES INSTRUCTIONS OU PROCEDURES SPÉCIALES QUI, SI ELLES NE SONT PAS SUIVIES CORRECTEMENT, POURRAIENT CAUSER UNE BLESSURE.**



**“CAUTION” – THE CAUTION SYMBOL IDENTIFIES SPECIAL INSTRUCTIONS OR PROCEDURES WHICH, IF NOT STRICTLY OBSERVED, COULD RESULT IN DAMAGE TO OR DESTRUCTION OF EQUIPMENT.**



**“PRÉCAUTION” – LE SYMBOLE DE PRÉCAUTION IDENTIFIE DES INSTRUCTIONS OU PROCEDURES SPÉCIALES QUI, SI ELLES NE SONT PAS STRICTEMENT SUIVIES, POURRAIENT CAUSER UN DOMMAGE OU LA DESTRUCTION DE L'ÉQUIPEMENT.**



**“NOTE”** – Note indicates points of particular or additional information.

**“REMARQUE”** – Remarque indique des points d'intérêt particulier ou des renseignements additionnels. la note indique des remarques d'information particulière ou supplémentaire.



Refer to Instruction Manual/Booklet

### TRANSPORTATION / STORAGE CONDITIONS

Temperature: Operating:	59 to 104° F 15 to 40° C
Storage:	-22 to +140° F -30 to +60° C
Relative Humidity: Operating:	5%RH to 95%RH without condensation
Storage:	10%RH to 100%RH, including condensation
Atmospheric Pressure:	
Operating:	700hPa – 1060hPa
Storage:	500hPa – 1060 hPa

## 1. INTRODUCTION

- 1.1. This Installation Instruction contains information applicable only to the Reliance® Elara Tabletop.
- 1.2. Should your product not perform properly, or if the product is in need of repair, or if you have any questions concerning the use and care of any Haag-Streit product, contact the Haag-Streit Distributor, where you purchased this product or contact the Technical Service Department, Haag-Streit USA, Inc., 3535 Kings Mills Road, Mason, Ohio 45040-2303, or call 800-787-5426.
- 1.3. Recognized Accessories: Recognized medical devices include the following:
  - Haag-Streit Elara 900 Slit Lamp.

**NOTE:** Always have the model number and serial number available before contacting Haag-Streit or your authorized Haag-Streit Distributor.

**REMARQUE:** Ayez toujours le numéro de modèle et le numéro de série à portée de la main avant de contacter Haag-Streit ou votre distributeur Haag-Streit autorisé.



**WARNING: TO AVOID PERSONAL INJURY OR DAMAGE TO THE EQUIPMENT, DO NOT PLACE EXCESSIVE WEIGHT ON THE TABLETOP.**



**AVERTISSEMENT: POUR ÉVITER DES BLESSURES OU DES DOMMAGES À L'ÉQUIPEMENT, NE PLACEZ PAS DE POIDS EXCESSIF SUR LE PLATEAU DE LA TABLE.**



**WARNING: DO NOT APPLY WHOLE WEIGHT OF BODY ON TABLETOP.**



**AVERTISSEMENT: N'APPLIQUEZ PAS TOUT LE POIDS DU CORPS SUR LE DESSUS DE LA TABLE.**



**WARNING: ONLY TRAINED/QUALIFIED PERSONNEL SHOULD OPERATE INSTRUMENT STAND.**



**AVERTISSEMENT: SEUL LE PERSONNEL FORMÉ ET QUALIFIÉ DOIT UTILISER LA SUPPORT D'INSTRUMENT.**

## TECHNICAL SPECIFICATIONS

### Elara Tabletop Product Rating

This equipment is rated Class I	
Equipment	Model
Elara Tabletop	321740
Class I	

## 2. INSTALLATION



**WARNING: INSTALLATION & REPAIRS MAY ONLY BE PERFORMED BY TRAINED TECHNICAL PERSONNEL.**



**AVERTISSEMENT: L'INSTALLATION ET LES RÉPARATIONS NE DOIVENT ÊTRE EFFECTUÉES QUE PAR DU PERSONNEL TECHNIQUE FORMÉ.**

### 2.1. Unpacking

**2.1.1.** Remove all external shipping tapes and wrappings. Remove the Elara Tabletop from the carton and inspect for any damage from transportation before proceeding.



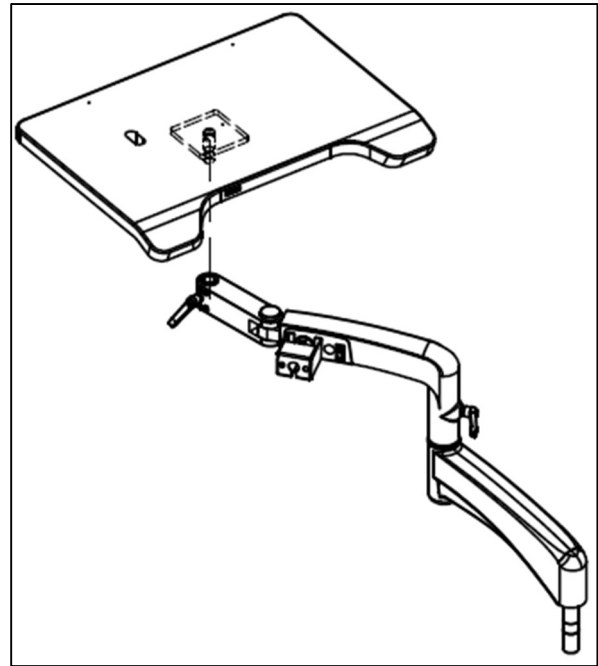
**WARNING: NEVER OPERATE DEFECTIVE EQUIPMENT. CONTACT HAAG-STREIT TECH SERVICE IMMEDIATELY.**



**AVERTISSEMENT: NE JAMAIS FAIRE FONCTIONNER UN ÉQUIPEMENT DÉFECTUEUX. CONTACTEZ IMMÉDIATEMENT LE SERVICE TECHNIQUE HAAG-STREIT.**

### 2.2. Installing Tabletop onto Slit Lamp Arm

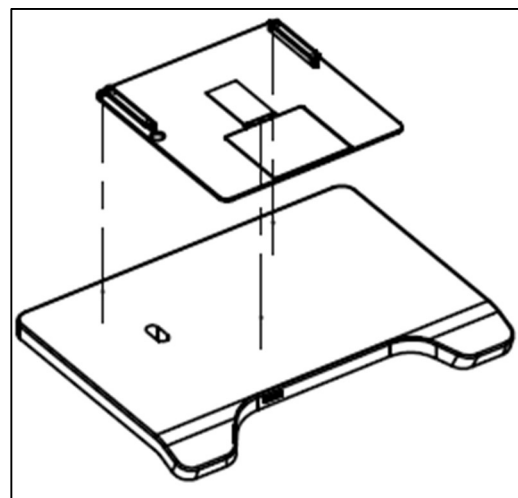
**2.2.1.** Install Elara Tabletop assembly onto Reliance Instrument Stand Slit Lamp Arm according to Instrument Stand Installation Manual (see Figure 1).



**FIGURE 1  
ELARA TABLETOP INSTALLATION ONTO SLIT LAMP  
ARM**

### 2.3. Installing Elara 900 Slit Lamp onto Tabletop

**2.3.1.** Install Elara 900 Slit Lamp base plate (supplied with Elara) onto tabletop by aligning the (3) holes on the base plate to the (3) pre-drilled holes on the tabletop surface. Secure base plate according to Elara 900 installation manual (see Figure 2).



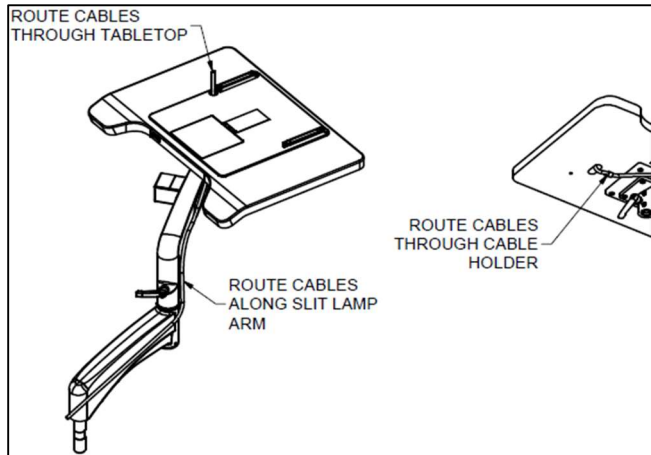
**FIGURE 2  
ELARA BASE PLATE INSTALLATION ONTO TABLETOP**

**2.3.2.** Install Elara 900 Slit Lamp according to Elara 900 installation manual.

## 2.4. Routing Cables (Refer to Figure 3)

2.4.1. Route cables for Elara Slit Lamp connections through tabletop.

2.4.2. Route cables through cable holder underneath tabletop and along slit lamp arm on Reliance Instrument Stand to ensure neat installation.



**FIGURE 3**  
**CABLE ROUTING**

## CLEANING AND MAINTENANCE

### Cleaning Painted Surfaces

Painted metal surfaces are covered with a durable powder coat paint which is resistant to scratching and scuffing. Painted surfaces may be cleaned with a clean cloth dampened with mild, soapy water or equivalent household spray cleaner.

### Recommended Infection Control Products

The following Infection Control Products have been tested on the equipment and will not cause damage to painted surfaces or plastic covers:

- Cavicide® Hospital Disinfectant.
- Precise® Hospital Foam Cleaner Disinfectant.



**WARNING: REFER TO LOCAL OR HEALTHCARE PROFESSION GUIDELINES FOR SELECTING EFFECTIVE INFECTION CONTROL PRODUCTS.**



**AVERTISSEMENT: SE RÉFÉRER AUX DIRECTIVES LOCALES OU DES PROFESSIONS DE LA SANTÉ POUR SÉLECTIONNER DES PRODUITS DE CONTRÔLE D'INFECTION EFFICACES.**



**CAUTION: FOLLOW MANUFACTURER'S DIRECTIONS FOR CONCENTRATION AND APPLICATION OF DISINFECTING CLEANER. AVOID PROED APPLICATION OF ANY DISINFECTANT/CLEANER PRODUCTS, BECAUSE THEY MAY CAUSE STAINING OR DISCOLORATION OF MATERIAL.**



**PRÉCAUTION: SUIVEZ LES INSTRUCTIONS DU FABRICANT POUR LA CONCENTRATION ET L'APPLICATION DE NETTOYEURS DÉSINFECTANTS. ÉVITEZ UNE APPLICATION PROÉE DE TOUT PRODUIT DÉSINFECTANT/NETTOYANT, PARCE QUE CEUXCI POURRAIENT CAUSER DES TACHES OU UNE DÉCOLORATION DU MATÉRIEL.**



**NOTE:** Equipment should be cleaned as needed or per local or healthcare profession guidelines.

**REMARQUE:** L'équipement devrait être nettoyé au besoin ou selon les directives locales ou celles des professions de la santé.



**WARNING: TO AVOID BIOLOGICAL HAZARDS WHEN EQUIPMENT HAS REACHED THE END OF ITS USEFUL LIFE, DISPOSE OF EQUIPMENT PER LOCAL REGULATIONS OR HEALTHCARE PROFESSION GUIDELINES.**



**AVERTISSEMENT: POUR ÉVITER LES RISQUES BIOLOGIQUES LORSQUE L'ÉQUIPEMENT A ATTEINT LA FIN DE SA VIE UTILE, DISPOSEZ DE L'ÉQUIPEMENT SELON LES RÉGLEMENTATIONS LOCALES OU LES DIRECTIVES DES PROFESSIONS DE LA SANTÉ.**



**NOTE:** To ensure a long service life, the device should be cleaned as described. It is also recommend having the device inspected by an authorized service technician annually.

**REMARQUE:** Pour assurer une longue durée de vie, l'appareil doit être nettoyé comme décrit. Il est également recommandé de faire inspecter l'appareil par un technicien d'entretien autorisé chaque année.

## LIMITED WARRANTY

The Reliance® product must be used only for the purposes and in the manner described in the literature distributed with the product. The products are warranted against defective materials and workmanship for a period of one (2) years from date of installation. Products or parts thereof will be repaired or replaced as required at Haag-Streit USA, Inc. Such repair or replacement shall be the sole remedy under this warranty. This warranty extends only to the original purchaser from an authorized Haag-Streit dealer and is subject to the following conditions:

1. The warranty card must be completed and returned to Haag-Streit USA, Inc. within two (2) weeks from the date of installation.
2. Installation and servicing of the products must be performed by trained Haag-Streit USA, Inc. equipment dealer service personnel in accordance with the appropriate instruction manual for the products. Warranty will be voided if installation is performed by a non-authorized individual.
3. The products have not sustained breakage or other types of damage due to accident or misuse.
4. This warranty will not apply to Reliance® products which have had the serial number removed, altered or effaced.

**EXCEPT FOR THE EXPRESS WARRANTY SET FORTH ABOVE, HAAG-STREIT DOES NOT GRANT ANY WARRANTIES, EITHER EXPRESS OR IMPLIED, INCLUDING IMPLIED WARRANTIES OF MERCHANTABILITY OR FITNESS FOR A PARTICULAR USE.**

Haag-Streit USA, Inc. neither assumes nor authorizes any person to assume for it, any other liability in connection with the sale and use of its products.

**REMEDIES ARE LIMITED EXCLUSIVELY TO REPAIR OR REPLACEMENT OF PARTS. HAAG-STREIT USA, INC. EXPRESSLY DISCLAIMS LIABILITY FOR INCIDENTAL OR CONSEQUENTIAL DAMAGE RESULTING FROM THE USE OF THE EQUIPMENT.**

Claims covered by this warranty will be honored when presented within one (1) month from discovery of a defect.



**MADE IN USA**

**Haag-Streit USA, Inc  
3535 Kings Mills Road  
Mason, Ohio 45040-2303 USA  
(800) 787-5426  
(Customer / Technical Service)  
(513) 398-3937  
<http://www.haag-streit-usa.com>**

**P/N 32131 REV B**  
© Copyright 2026  
Revised 05-2026-10023