

INSTALLATION AND OPERATING INSTRUCTIONS

OWNERS MANUAL

EN | FR

SERIES 500 STOOLS



MODEL/SERIAL NUMBER

For your future reference, mark the model number or serial number in the space provided.

Serial: 050000BMMYYXXX
Where MMY indicates the
month and year manufacture

QUALITY MANAGEMENT
SYSTEM
REGISTERED TO
ISO 13485



TABLE OF CONTENTS

IMPORTANT INFORMATION	3
1. INTRODUCTION	4
2. INSTALLATION	4
2.1. Unpacking	4
2.2. Assembly	4
3. OPERATING INSTRUCTIONS	5
3.1. Seat Height Adjustment	5
3.2. Body Support Adjustment (556 Series Only)	5
3.3. Back Rest Adjustment (546 & 548 Stools)	5
3.4. Lubrication	5
3.5. Foot Rest Ring Spacers	6
4. Replacement of Parts	6
LIMITED WARRANTY	17

IMPORTANT INFORMATION

SAFETY SYMBOLS



“DANGER”, “WARNING”, or “CAUTION”
The exclamation point within an equilateral triangle is intended to alert the user to the presence of important operating and maintenance (servicing) instructions in this Installation and Operating Instructions.



“NOTE”
Note indicates points of particular or additional information.



Safe Working Load

TRANSPORTATION / STORAGE CONDITIONS

Temperature: Operating: 59 to 104° F
15 to 40° C

Storage: -22 to +140° F
-30 to +60° C

Relative Humidity: Operating: 5%RH to 95%RH
without condensation
Storage: 10%RH to 100%RH,
including condensation

Atmospheric Pressure: Operating: 700hPa - 1060hPa
Storage: 500hPa - 1060hPa

1. INTRODUCTION

1.1. This manual contains information applicable only to the Reliance® Models 500 Series stools.

1.2. Whenever you see the symbols shown below, heed their instructions! Always follow safe operating and maintenance practices.



“WARNING”- The warning symbol identifies special instructions or procedures which, if not correctly followed, could result in personal injury.



“VERTISSANT”- Le symbole d'avertissement identifie les instructions spéciales ou les procédures qui, sinon correctement suivi, pourraient avoir comme conséquence des blessures.



“CAUTION”- This caution symbol identifies special instructions or procedures which, if not strictly observed, could result in damage to or destruction of equipment.



“ATTENTION” - ce symbole d'attention identifie les instructions spéciales ou les procédures aux lesquelles, sinon strictement observés, pourrait avoir comme conséquence les dommages ou la destruction de l'équipement.



“NOTE”- Note indicates points of particular or additional information.



“NOTE” - la note indique des remarques d'information particulière ou supplémentaire.

1.3 Should your product not perform properly, or if you have any questions concerning the use and care of any Reliance® product, contact the Reliance® Distributor where you purchased this product or contact the Technical Service Department, Reliance® Medical Products, Inc., 3535 Kings Mills Road, Mason, Ohio 45040-2303, or call (800) 735-0358.



“NOTE”- Always have the model number and serial number available before contacting Reliance® or your authorized Reliance® Distributor.



“NOTE”- Ayez toujours le numéro et le numéro de série de type disponibles avant Reliance® entrant en contact ou votre distributeur autorisé de Reliance®.

2. INSTALLATION

2.1. Unpacking

2.1.1. Open the shipping carton carefully and record any shipping damage to the carton or to the contents.

2.1.2. Remove all contents from the shipping carton and note that “knocked-down” shipments have their back supports removed and packed in the carton with the base assembly.



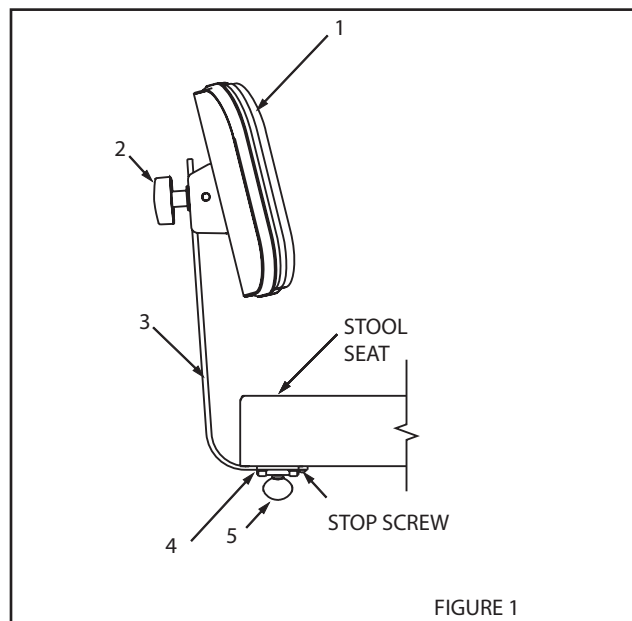
“WARNING” - Never place a damaged stool into service. Contact your Reliance® Distributor.



“AVERTISSANT” - Ne placez jamais un tabouret endommagé en service. Entrez en contact avec votre distributeur de Reliance®.

2.2. Assembly

2.2.1. To assemble the adjustable tilting backrest, such as Model 546, refer to Figure 1.



2.2.1.1. Place the support bar, Item 3, into the back plate, Item 4, and secure it with the thumb screw, Item 5.

2.2.1.2. In order to position the backrest properly, refer to Figure 5. The threaded stud is to be placed thru the slot in the support bar with the chrome acorn nut (Item 10) visible from the top.

2.2.1.3. Screw the handwheel, Item 2, Figure 1, onto the threaded stud in order to secure the position of the backrest.

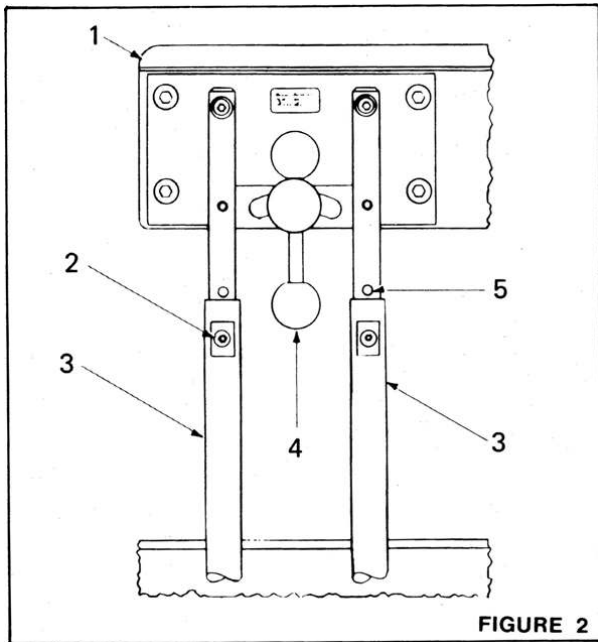
2.2.2. To assemble the curved body support on model 556, refer to Figure 2.



“NOTE”- After support bar has been inserted into back support per the assembly instructions (section 2.2), insert stop screw into threaded hole in end of support bar. The #10-24 x ¼ Round Head Machine Screw (Part Number 2037299) is shipped in the parts bag.



“NOTE”- Après que la barre de soutien ait été insérée dans l’appui arrière par instructions d’assemblage (section 2.2), insérez la vis d’arrêt dans le trou fileté dans l’extrémité de la barre de soutien. Les #10-24 la vis principale que ronde de machine de ¼ de X (numéro de la pièce 2037299) est embarquée dans les pièces mettent en sac.



2.2.2.1. Untape the support tubes, Item 3, and swing them up to a vertical position approximately parallel.

2.2.2.2. Remove the two position screws, Item 2, from the backrest rods, and insert the rods into the support tubes simultaneously.

2.2.2.3. Push the rods down into the support tubes until the arm is at a desired height.

2.2.2.4. Adjust the rods slightly until a pair of threaded holes in the support rods appears thru the holes in the support tubes. Replace the two position screws and tighten securely.

2.2.3. Refer to the Operating Instructions for adjustments.

3. OPERATING INSTRUCTIONS

3.1. Seat Height Adjustment

IN-500

3.1.1. A pedal operated hydraulic lift is used to raise and lower the seat in the Reliance® Series 500 Stool. To raise the seat, push downward on the pedal lever. Note that a stop can be felt at the bottom of the pumping stroke. By exerting enough force to move the pedal beyond this stop, a lowering valve is opened, permitting the stool seat to descend.



“CAUTION”- When raising the seat, ensure that the stool remains clear of any furniture or equipment. Otherwise, the resulting raising force may damage the furniture, equipment or stool.



“ATTENTION” - En soulevant le siège, assurez-vous que le tabouret reste dégagé de n’importe quels meubles ou équipement. Autrement, la force augmentante résultante peut endommager les meubles, l’équipement ou le tabouret.

3.1.2. Lifting the pedal locks rotational movement of the seat with respect to the base, should such a condition be desired.

3.2. Body Support Adjustment (556 Series Only)

3.2.1. The curved body support of the 556 Model stool is adjustable horizontally to serve as an arm, abdomen, or back rest and can be swiveled independently of the seat. For horizontal adjustment, loosen the locking handle and position as desired.

3.2.2. The body support can be adjusted vertically to any one of five positions indicated by threaded holes in the body support rods. To make the adjustment, remove the two position screws, position the body support at the desired height and insert the screws in the nearest pair of threaded holes. Tighten the screws securely.

3.3. Back Rest Adjustment (546 & 548 Stools)

3.3.1. The back rest of the 546 & 548 series stools is adjustable vertically and horizontally.

3.3.2. To adjust the rest vertically, loosen the black hand wheel behind the back rest, move it to a comfortable position, then tighten the hand wheel.

3.3.3. For horizontal adjustment, loosen the thumb screw clamp holding the back support bar under the stool seat and move the support bar in or out as desired. Tighten the thumb screw securely after making the adjustment.

3.4. Lubrication

3.4.1. Caster wheels and swivels do not require lubrication.

3.4.2. Lubricate the curved body support mechanism of the Model 556 only if it operates stiffly or squeaks. Introduce a few drops of light oil into the slots of the back support casting holding the support tubes under the stool seat. (This casting is shown as Item 5 of Figure 7.) Work the mechanism back and forth several times to distribute the oil and wipe off any excess.

3.5. Foot Rest Ring Spacers

3.5.1. Foot rest ring spacers are recommended for 'M' and 'H' Models in order to raise the ring with the minimum seat height.

3.5.2. One spacer for each clip is recommended for 'M' models, and two spacers per clip are recommended for 'H' models. (Refer to Figure 3.)

3.5.3. To install spacers, first remove the foot rest ring from the base and disassemble the clips by removing the screws.

3.5.4. Screw the stud end of each spacer into the foot rest ring. If two spacers are to be used, screw the second spacer into the first as illustrated.

3.5.5. Replace the clips and screws previously removed to the bottom of each spacer.

3.5.6. Replace the foot rest ring by snapping the clips in place as illustrated on the stool base legs.

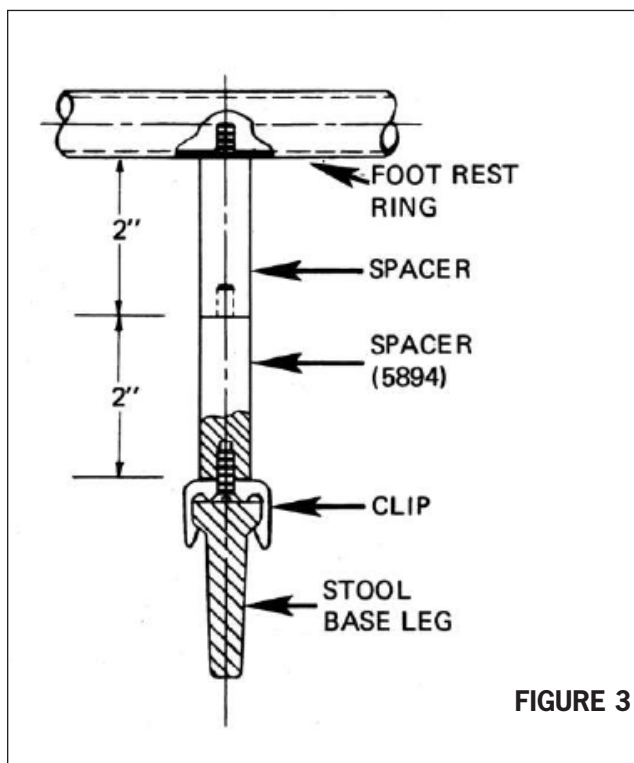


FIGURE 3

4. Replacement of Parts

4.1. When ordering replacement parts, please specify the model number of the stool and the proper part number from the following figures.

4.2. When ordering upholstered items, please specify color (or conductive).



“WARNING”- The foot rest ring is intended for lightweight foot support only and is not intended for use as a step/weight bearing support. If repositioning of the body is needed while seated, you must insure both feet are firmly placed on the floor before shifting your weight.



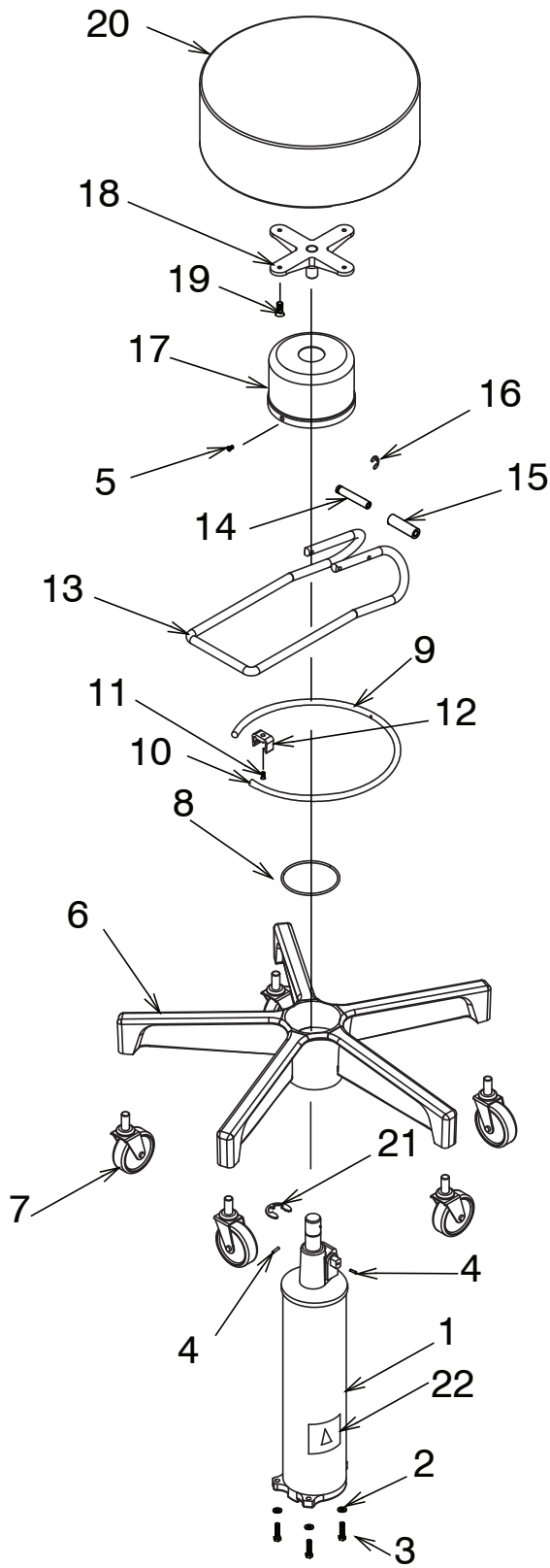
“VERTISSANT”- l’anneau de repos de pied est prévu pour l’appui léger de pied seulement et n’est pas prévu pour l’usage comme support de roulement d’étape/poids. le remplacement de LF du corps est nécessaire tandis que posé, vous doit assurer les deux pieds sont fermement placés sur le plancher avant de décaler votre poids



“CAUTION”- If damage to any of the foot rest ring clips occurs, the unit must be taken out of commission. Contact customer service for additional instructions and replacement parts as necessary.



“ATTENTION” - les dommages de LF aux agrafes l’unes des d’anneau de repos de pied se produisent, l’unité doivent être pris hors de la commission. Entrez en contact avec le service à la clientèle pour des instructions additionnelles et des pièces de rechange selon les besoins.



RELIANCE®

MODEL 540
HYDRAULIC
STOOL, AND
BASE PARTS

FIGURE 4

ITEM	PART NO.	DESCRIPTION
1		See Table 1 - Lifts
2	0728399	Lockwasher-Split-5/16
3	0707299	5/16 x 1-1/4 Hx. Hd Cap Screw
4	0722899	1/4-20 x 3/8 Set Screw
5	0712799	8-32 Mach. Screw
6	0644592	Base Sub-Assembly
7		Casters - See Table 2
8	0592499	"O" Ring
9	0643680	Footrest
10	0636299	Plug Button
11	0716299	10-24 x 3/8 F.H. Mach. Screw
12	2780999	Ring Clip
13	0471580	Pedal
14	0532299	Roller Pin
15	0546199	Roller
16	0732499	Retaining Ring
17	0544780	Cap
18	0645392	Seat Support Assembly
19	0717799	10-24 x 1 Fl. Hd. Mach. Screw
20	1381273	UPH. Seat-Standard Foam*
	1381373	UPH. Seat-Sensa Foam*
21	0733299	Retaining Ring
22	2737499	Lable-Safe Working Load - 300 Lbs

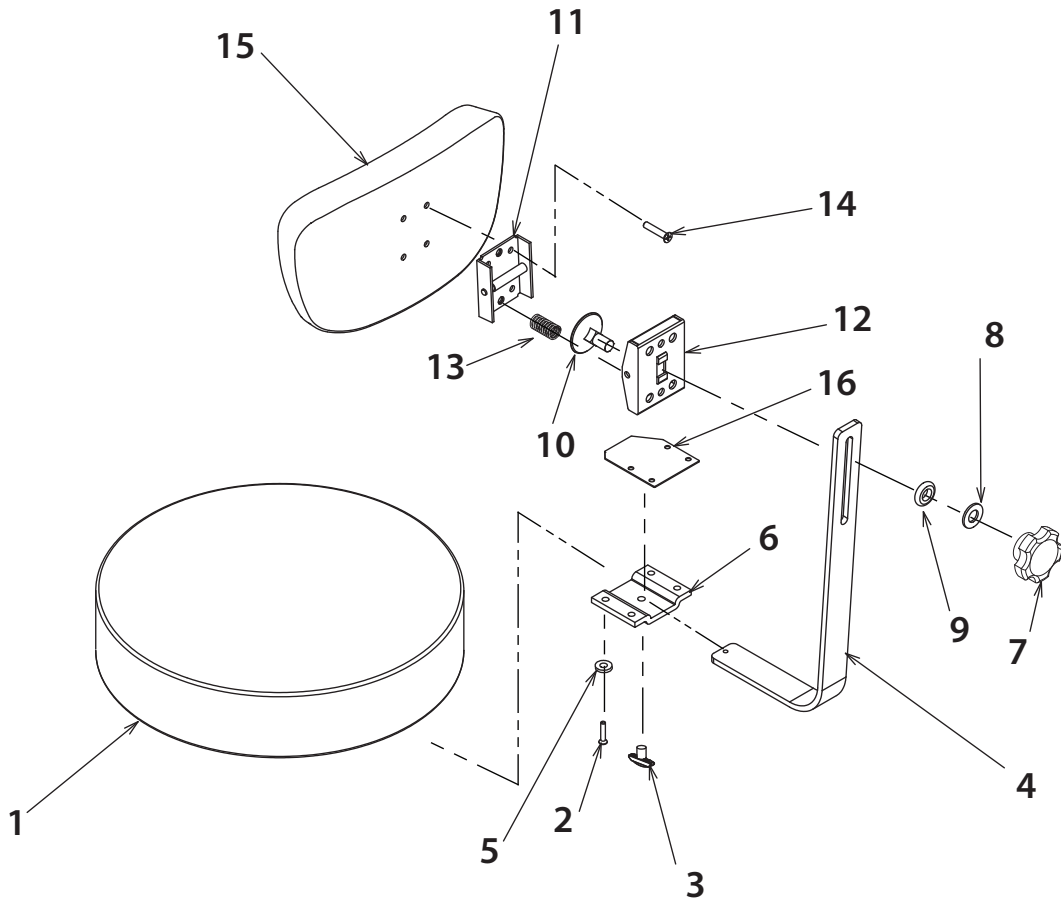
* WHEN ORDERING PLEASE SPECIFY UPHOLSTERY COLOR OR CONDUCTIVE

TABLE 1. HYDRAULIC LIFTS

0644292	Low Lift Assembly
0644392	Med. Lift Assembly
1011892	High Lift Assembly

TABLE 2. CASTERS OR GLIDES - ITEM 7

0613399	Standard Caster - 2-1/2"
0637199	Conductive Caster - 2-1/2"
1382992	Glide Assembly, Standard
1427292	Glide Assembly, Non-Skid
1426399	Glide (Only), Standard
1426299	Glide (Only), Non-Skid

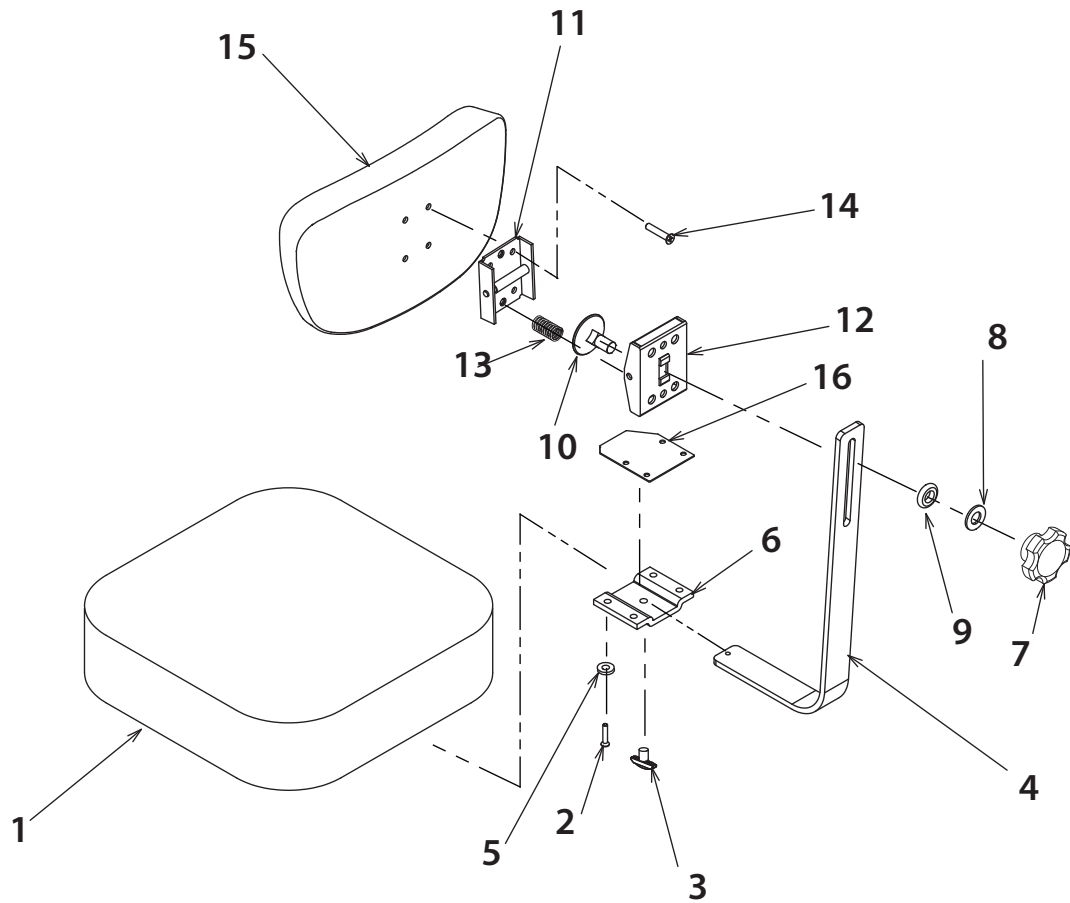


**RELIANCE® 546 STOOL TOP
REPLACEMENT PARTS
FOR BASE SEE FIG. 4**

FIGURE 5

ITEM	PART NO.	DESCRIPTION
1	1381273	UPH. Seat - Standard Foam*
	1381373	UPH. Seat - Sensa Foam*
2	1376499	R.H.MS., 1/4-20 X 1.12
3	0781680	Thumb Screw
4	2343080	Back Support
5	0728299	Lockwasher, .25 Split
6	1288799	Back plate
7	1987599	Knob, 5 Lobe, 3/8-16 Insert
8	2342899	Washer, 3/8, B.O.
9	2342999	Washer, 3/8 Nylon
10	0306799	Elevator Bolt
11	1408099	Hinge & Pivot
12	1408199	Hinge Cover
13	1407999	Spring
14	0717799	FHMS 10-24 x 1.00 Phil
15	1289073	UPH. Back
16	3155499	Spacer, Back Support Mount

* WHEN ORDERING PLEASE SPECIFY UPHOLSTERY COLOR OR CONDUCTIVE

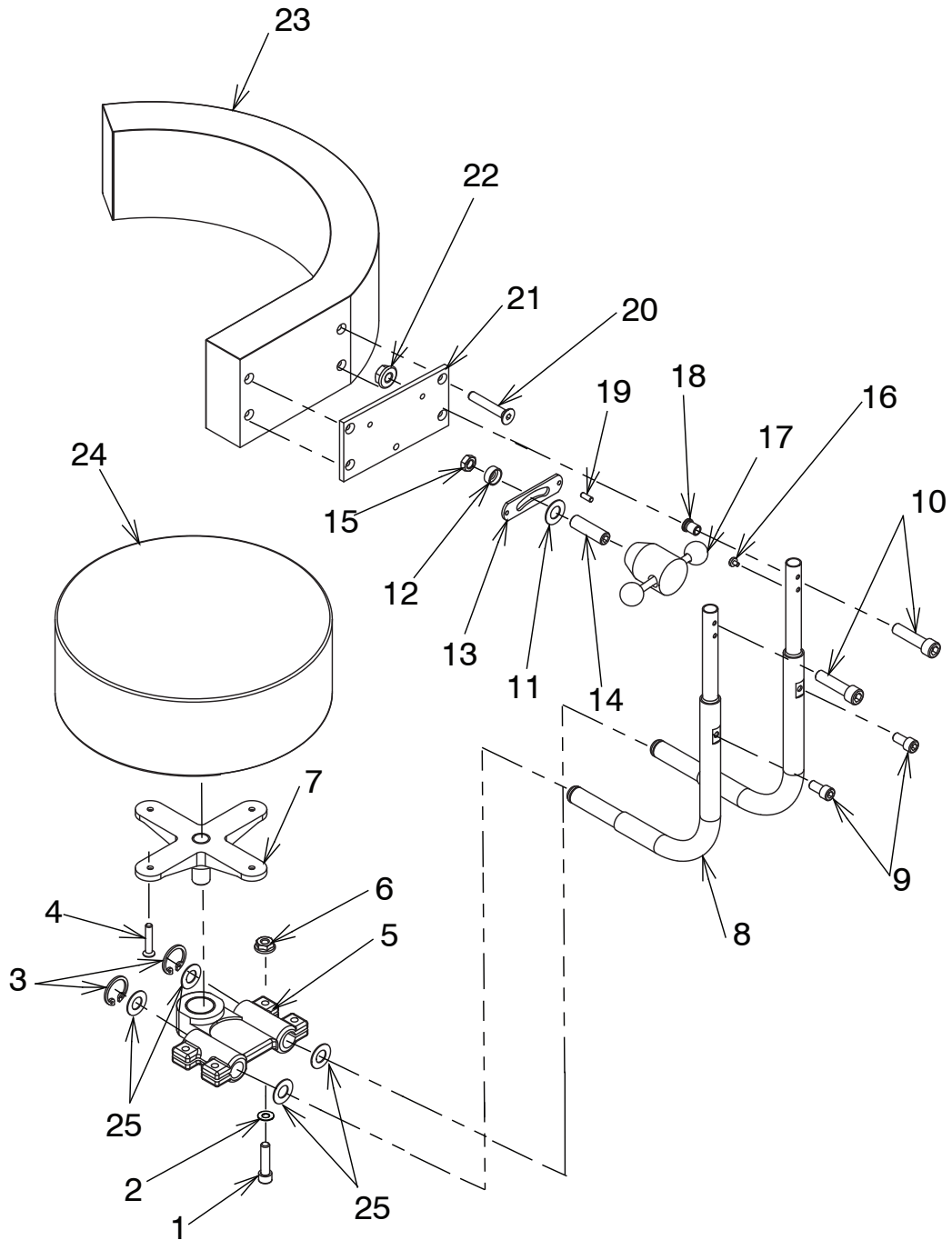


**RELIANCE® 548 STOOL TOP
REPLACEMENT PARTS
FOR BASE SEE FIG. 4**

FIGURE 6

ITEM	PART NO.	DESCRIPTION
1	1381473	UPH. Seat - Standard Foam*
	1381573	UPH. Seat - Sensa Foam*
2	1376499	R.H.MS., 1/4-20 X 1.12
3	0781680	Thumb Screw
4	2343080	Back Support
5	0728299	Lockwasher, .25 Split
6	1288799	Back plate
7	1987599	Knob, 5 Lobe, 3/8-16 Insert
8	2342899	Washer, 3/8, B.O.
9	2342999	Washer, 3/8 Nylon
10	0306799	Elevator Bolt
11	1408099	Hinge & Pivot
12	1408199	Hinge Cover
13	1407999	Spring
14	0717799	FHMS 10-24 x 1.00 Phil
15	1289073	UPH. Back

* WHEN ORDERING PLEASE SPECIFY UPHOLSTERY COLOR OR CONDUCTIVE



**RELIANCE® 556 STOOL TOP
REPLACEMENT PARTS
FOR BASE SEE FIG. 4**

FIGURE 7

ITEM	PART NO.	DESCRIPTION
1	0283699	1/4-20 x 1-1/4 Socket Head Cap Screw
2	0729999	Washer, 1/4 Flat
3	0732199	Retaining Ring
4	0717799	10-24 x 1 Flat Head Machine Screw
5	0644192	Back Rest Swivel Ass'y.
6	0527899	1/4-20 Lock Nut
7	0645392	Seat Support Ass'y
8	0502092	Support Tube Ass'y
9	0712180	1/4-28 x 1/2 Socket Head Cap Screw
10	0808799	5/16-24 x 1-1/4 Socket Head Cap Scr.
11	0508699	Fiber Washer
12	0538580	Spacing Collar
13	0535899	Lock Link
14	0725299	3/8-16 1-1/4 Socket Head Set Screw
15	0705299	3/8-16 Hex Jam Nut
16	0503899	Stop Button
17	0521492	Lock Handle Ass'y
18	0497899	Bushing
19	0761799	Roolpin 3/16 x 1/2
20	0789299	1/4-20 x 1-1/2 Machine Screw
21	0502280	Arm Rest Plate
22	0527799	5/16-24 Locknut
23	1403873	UPH. Arm Rest Ass'y-R.H.* (Shown)
	1403973	UPH. Arm Rest Ass'y-L.H.*
24	1381273	UPH. Seat - Standard Foam*
	1381373	UPH. Seat - Sensa Foam*
25	0527699	Washer

* WHEN ORDERING PLEASE SPECIFY UPHOLSTERY COLOR OR CONDUCTIVE

CLEANING AND MAINTENANCE

Cleaning the Upholstery

When cleaning upholstery, it is suggested that you use all recommended commercial cleaning agents in an inconspicuous spot to check for potential damage to the upholstery material before applying to the entire area to be cleaned.

Day to Day soil:

Remove ordinary dirt and smudges with a mild soap and warm water solution. Dry with a soft, lint-free cloth or towel. For more difficult stains, use of a stronger detergent is recommended; however, follow the detergent manufacturer's instructions closely.

Disinfecting Material:

In order to disinfect, use a 1:9 solution of bleach and water (1 part bleach to 9 parts water). Wipe surface with damp cloth then rinse with water immediately, using a damp cloth.

Special cleaning problems:

The following methods are recommended to clean stains on PreFixx-protected vinyl upholstery. Most stains will be removed when these cleaning agents are used in the following order.

Type 1 Cleaners: Nonabrasive household cleaners to be used with water and a soft cloth.

- Formula 409®~ All-Purpose Spray Cleaner
- Fantastik® Spray Cleaner
- Other similar household cleaners and bleaches

Type 2 Cleaners: Solvent-type cleaner to be liberally applied with a soft cloth. Dry area with another cloth, rinse with clean water and dry.

- Rubbing alcohol (isopropyl alcohol)
- Lighter fluid (naptha)

Type 3 Cleaners: Strong, active solvent cleaners such as nail polish remover (acetone/water) to be applied with a soft cloth. Stain should be removed with less than six (6) rubs; if stain persists after six rubs, contact manufacturer. Dry area with another cloth, rinse with clean water and dry.



“CAUTION”- These solvents are highly flammable. Exercise proper care in cleaning and notify personnel in area of danger. Wear rubber gloves during all cleaning activity. Use caution in cleaning around buttons, stitching and wooden or other decorative trim, since these solvents could seriously damage such areas.



“ATTENTION” - Ces dissolvants sont hautement inflammables. Prenez le soin approprié dans le nettoyage et informez le personnel dans la zone du danger. Utilisez les gants en caoutchouc pendant toute l'activité de nettoyage. Faites attention en nettoyant autour des boutons, en piquant et panneau en bois ou autre décoratif, puisque ces dissolvants pourraient sérieusement endommager de telles zones.

Cleaning Painted Surfaces

The painted metal surfaces are covered in durable, powder-coated paint which is resistant to scratching and scuffing. It may be cleaned with a clean cloth dampened with mild, soapy water or equivalent household product that uses spray application.

Recommended Infection Control Products

The disinfectant/cleaner products that we have tested and recommend for our upholstery, painted items and plastic covers are as follows.

- Cavicide® Hospital Disinfectant
- Precise® Hospital Foam Cleaner Disinfectant



“CAUTION” - Follow manufacturer's directions for concentration and application of disinfecting material. Avoid prolonged application of any disinfectant/cleaner products, because they may cause staining of upholstery material.



“ATTENTION “ - Suivez les sens du constructeur pour la concentration et l'application de la désinfection produit. Évitez l'application prolongée de tous les produits désinfectants/plus propres, parce qu'elles peuvent causer la souillure du produit de capitonnage.

**PARTS LIST
RELIANCE® MODEL 500
SERIES STOOL**



“Note” : When ordering parts, please:

1. Advise dealer or factory of model and serial number of unit. These numbers are on the label that is located at rear, on back cover, of base unit.
2. Specify color of painted parts. Painted parts have an asterisk(*) behind the part description.



“Note” : Lors d'une commande de pièces, s'il vous plaît :

1. Avisez le distributeur ou le manufacturier du modèle et du numéro de série de l'ensemble ophtalmique. Ces numéros apparaissent sur la plaque qui est située à l'arrière, près de la base, de l'unité centrale.
2. Indiquez la couleur des pièces peintes. Les pièces peintes ont un astérisque (*) dans la description de la pièce.

Should your stool not perform properly, or if replacement parts are need, contact the Reliance® Distributor, where you purchased this product or contact the Technical Service Department, Reliance® Medical Products, Inc., 3535 Kings Mills Road, Mason, Ohio 45040-2303, or call (800) 735-0358.

LIMITED WARRANTY

The Reliance® product must be used only for the purposes and in the manner described in the literature distributed with the product. The products are warranted against defective materials and workmanship for a period of one (1) year from date of installation. Products or parts thereof will be repaired or replaced as required at Reliance® Medical Products, Inc. Such repair or replacement shall be the sole remedy under this warranty. This warranty extends only to the original purchaser from an authorized Reliance® dealer and is subject to the following conditions:

1. The warranty card must be completed and returned to Reliance® Medical Products, Inc. within two (2) weeks from the date of installation.
2. Installation and servicing of the products must be performed by trained Reliance® equipment dealer service personnel in accordance with the appropriate instructions manual for the products. Warranty will be voided if installation is performed by a non-authorized individual
3. The products have not sustained breakage or other types of damage due to accident or misuse.
4. This warranty will not apply to Reliance® products which have had the serial number removed, altered or effaced.

EXCEPT FOR THE EXPRESS WARRANTY SET FORTH ABOVE, RELIANCE® DOES NOT GRANT ANY WARRANTIES, EITHER EXPRESS OR IMPLIED, INCLUDING IMPLIED WARRANTIES OF MERCHANTABILITY OR FITNESS FOR A PARTICULAR USE.

Reliance® Medical Products neither assumes nor authorizes any person to assume for it, any other liability in connection with the sale and use of its products.

REMEDIES ARE LIMITED EXCLUSIVELY TO REPAIR OR REPLACEMENT OF PARTS. RELIANCE® MEDICAL PRODUCTS, INC. EXPRESSLY DISCLAIMS LIABILITY FOR INCIDENTAL OR CONSEQUENTIAL DAMAGE RESULTING FROM THE USE OF THE EQUIPMENT.

Claims covered by this warranty will be honored when presented within one (1) month from discovery of a defect.

(NOTES)

(NOTES)



Reliance Medical Products, Inc.
3535 Kings Mills Road
Mason, Ohio USA 45040-2303
1-800-735-0357 (Customer Service)
1-800-735-0358 (Technical Service)
(513) 398-3937
[Http://www.reliance-medical.com](http://www.reliance-medical.com)

P/N 11306 REV M
© Copyright 1992
Printed in U.S.A.
Revised 08-2018-9059